

\*\*\*\*\* FIELD MAINTENANCE PRINT SET \*\*\*\*\*

"THE MATERIAL HEREIN IS FOR INFORMATION PURPOSES ONLY AND IS SUBJECT TO CHANGE WITHOUT NOTICE.  
DIGITAL EQUIPMENT CORPORATION ASSUMES NO RESPONSIBILITY FOR ANY ERRORS WHICH MAY APPEAR HEREIN"

\*\*\*\*\*  
\* IMPORTANT IMPORTANT IMPORTANT \*  
\*\*\*\*\*

THIS PRINT SET CONTAINS IMPORTANT INFORMATION CONCERNING THE CONFIGURATIONS OF THE PRODUCTS LISTED. THE CONFIGURATION INFORMATION CONTAINED HEREIN MUST BE ADHERED TO IN ORDER TO MAINTAIN CONFORMANCE TO DEC STANDARDS.

NOTICE

This equipment generates, uses and may emit radio frequency energy. The equipment has been type tested and found to comply with the limits for a class A computing device pursuant to subpart J of Part 15 of FCC Rules, which are designed to provide reasonable protection against such radio frequency interference when operated in a commercial environment. Operation of this equipment in a residential area may cause interference in which case the user at his own expense may be required to take measures to correct the interference.

Adherence to the configuration rules referenced herein is mandatory to maintain FCC CLASS A status.

UNITS VARIATIONS COVER BY THIS PRINT SET

FIELD MAINTENANCE  
PRINT SET  
  
11/750 F  
  
DIGITAL EQUIPMENT  
CORPORATION  
  
MP01377

ECO HISTORY				DRN: R.J. RILEY	DATE: 12/7/82	d i g i t a l	
ENG!	ECO NUMBER	REV!	ENG!	CHK'D: R.J. RILEY	DATE: 12/7/82	TITLE	TABLE OF CONTENTS
!	INITIAL	! A !	!	DES.ENG.: P. GILDEA	DATE: 12/7/82		(11/750 F)
PG	11750-F-TW001	! B !	!	RESP.ENG.: P. GILDEA	DATE: 12/7/83	DOCUMENT NUMBER	
!	!	!	!	MFG.ENG.: B. SMITH	DATE: 12/7/82	SIZE!CODE!NUMBER	! REV. !
!	!	!	!	FIELD SERV. H. HUNTER	DATE: 12/7/82	K ! TC ! 11/750-F-1	! B !
!	!	!	!			SHEET 1 OF 3	
"THIS DRAWING AND SPECIFICATIONS HEREIN, ARE THE PROPERTY OF DIGITAL EQUIPMENT CORPORATION AND SHALL NOT BE REPRODUCED OR COPIED OR USED IN WHOLE OR IN PART AS THE BASIS FOR THE MANUFACTURE OR SALE OF ITEMS WITHOUT WRITTEN PERMISSION. COPYRIGHT (C) 1983 DIGITAL EQUIPMENT CORPORATION"							
							TW

\*\*\*\*\* FIELD MAINTENANCE PRINT SET \*\*\*\*\*

TABLE OF CONTENTS

E-UA-11/750-F-0	UNIT ASSY
K-PL-11/750-F-DBP	UNIT ASSY PARTS LIST
B-DD-11/750-F	DRAWING DIRECTORY
D-UA-5415142-0-0	11/750 DEVICE (SID UNIT ASSY)
D-CS-5415142-0-1	CIRCUIT SCHEMATICS (SID MODULE)
K-DD-7019603-0	DRAWING DIRECTORY
E-UA-7019603-0-0	CAB ASSY
K-PL-7019603-0-DBP	CAB ASSY PARTS LIST
E-IC-7019603-0-4	INTERCONNECT DIAGRAM
D-AD-7016922-0-0	CABLE ASSY (FILTERED) (CONSOLE)
K-PL-7016922-0-DBP	CABLE ASSY (FILTERED) PARTS LIST
K-PL-7019606-0-DBP	ACCESSORY KIT (SHIP LIST)
D-IA-7016930-0-0	CONSOLE POWER CABLE
E-IA-7016931-0-0	TU58 CABLE ASSY
E-IA-7016153-0-0	AC HARNESS
K-PL-7016153-0-DBP	AC HARNESS PARTS LIST
D-IA-7016513-0-0	CONTROL CABLE ASSY
K-PL-7016513-0-DBP	CONTROL CABLE ASSY PARTS LIST
E-IA-7016385-0-0	HARNESS POWER SIGNAL
K-PL-7016385-0-DBP	HARNESS POWER SIGNAL PARTS LIST
D-IA-7016929-0-0	CONSOLE SIGNAL CABLE
K-PL-7016929-0-DBP	CONSOLE SIGNAL CABLE PARTS LIST
D-IA-7016516-0-0	REMOTE SENSE CABLE
D-IA-7016379-0-0	HARNESS 2.50/5V
K-PL-7016379-0-DBP	HARNESS 2.50/5V PARTS LIST
D-IA-7016928-0-0	PATCH CABLE AIR FLOW
K-PL-7016928-0-DBP	PATCH CABLE AIR FLOW PARTS LIST
E-IA-7016708-0-0	CARD CAGE ASSY
K-PL-7016708-0-DBP	CARD CAGE ASSY PARTS LIST
E-UA-5413489-0-0	SERIAL TU58
K-PL-5413489-0-DBP	SERIAL TU58 PARTS LIST
D-CS-5413489-0	SERIAL TU58 CIRCUIT SCHEMATIC

UNIT VARIATIONS
11/750-FA
11/750-FB

FIELD MAINTENANCE  
PRINT SET  
11/750 F  
DIGITAL EQUIPMENT  
CORPORATION  
  
MP01377

	USED ON OPTION/MODEL	DRN.	DATE
		R.J. RILEY	12-7-82
		CHK'D	DATE
		R.J. RILEY	12-7-82
		PROJ. ENG.	DATE
		P. GILDEA	12-7-82
		FIELD SERV.	DATE
		H. HUNTER	12-7-82

SHEET 2 OF 3

"THIS DRAWING AND SPECIFICATIONS, HEREIN, ARE THE PROPERTY OF DIGITAL EQUIPMENT CORPORATION AND SHALL NOT BE REPRODUCED OR COPIED OR USED IN WHOLE OR IN PART AS THE BASIS FOR THE MANUFACTURE OR SALE OF ITEMS WITHOUT WRITTEN PERMISSION. COPYRIGHT © 1982 DIGITAL EQUIPMENT CORPORATION."

d i g i t a l

TITLE:  
TABLE OF CONTENTS (11/750 F)

SIZE	CODE	NUMBER	REV
K	TC	11/750-F-1	B
DIST.			

"THE MATERIAL HEREIN IS FOR INFORMATION PURPOSES ONLY AND IS SUBJECT TO CHANGE WITHOUT NOTICE. DIGITAL EQUIPMENT CORPORATION ASSUMES NO RESPONSIBILITY FOR ANY ERRORS WHICH MAY APPEAR HEREIN."

\*\*\*\*\* FIELD MAINTENANCE PRINT SET \*\*\*\*\*

TABLE OF CONTENTS

E-UA-5413822-0-0	BACKPLANE ASSY
K-PL-5413822-0-DBP	BACKPLANE ASSY PARTS LIST
C-AD-7016894-0-0	TIME OF YEAR BATTERY ASSY
C-IA-7016945-0-0	BATTERY PACK ASSY
D-IA-7015321-0-0	PANEL ASSY FRONT
K-SA-11750-F-0	SYSTEM ARRANGEMENT
K-SA-11750-F-1	SYSTEM ARRANGEMENT

UNIT VARIATIONS

FIELD MAINTENANCE  
PRINT SET  
11/750-F  
DIGITAL EQUIPMENT  
CORPORATION  
MP01377

USED ON OPTION/MODEL	DRN.	DATE
	R.J. RILEY	12-7-82
	CHK'D R.J. RILEY	DATE 12-7-82
	PROJ. ENG. P. GILDEA	DATE 12-7-82
	FIELD SERV. H. HUNTER	DATE 12-7-82
SHEET 3 OF 3		

"THIS DRAWING AND SPECIFICATIONS, HEREIN, ARE THE PROPERTY OF DIGITAL EQUIPMENT CORPORATION AND SHALL NOT BE REPRODUCED OR COPIED OR USED IN WHOLE OR IN PART AS THE BASIS FOR THE MANUFACTURE OR SALE OF ITEMS WITHOUT WRITTEN PERMISSION. COPYRIGHT © 1982 DIGITAL EQUIPMENT CORPORATION."

d i g i t a l

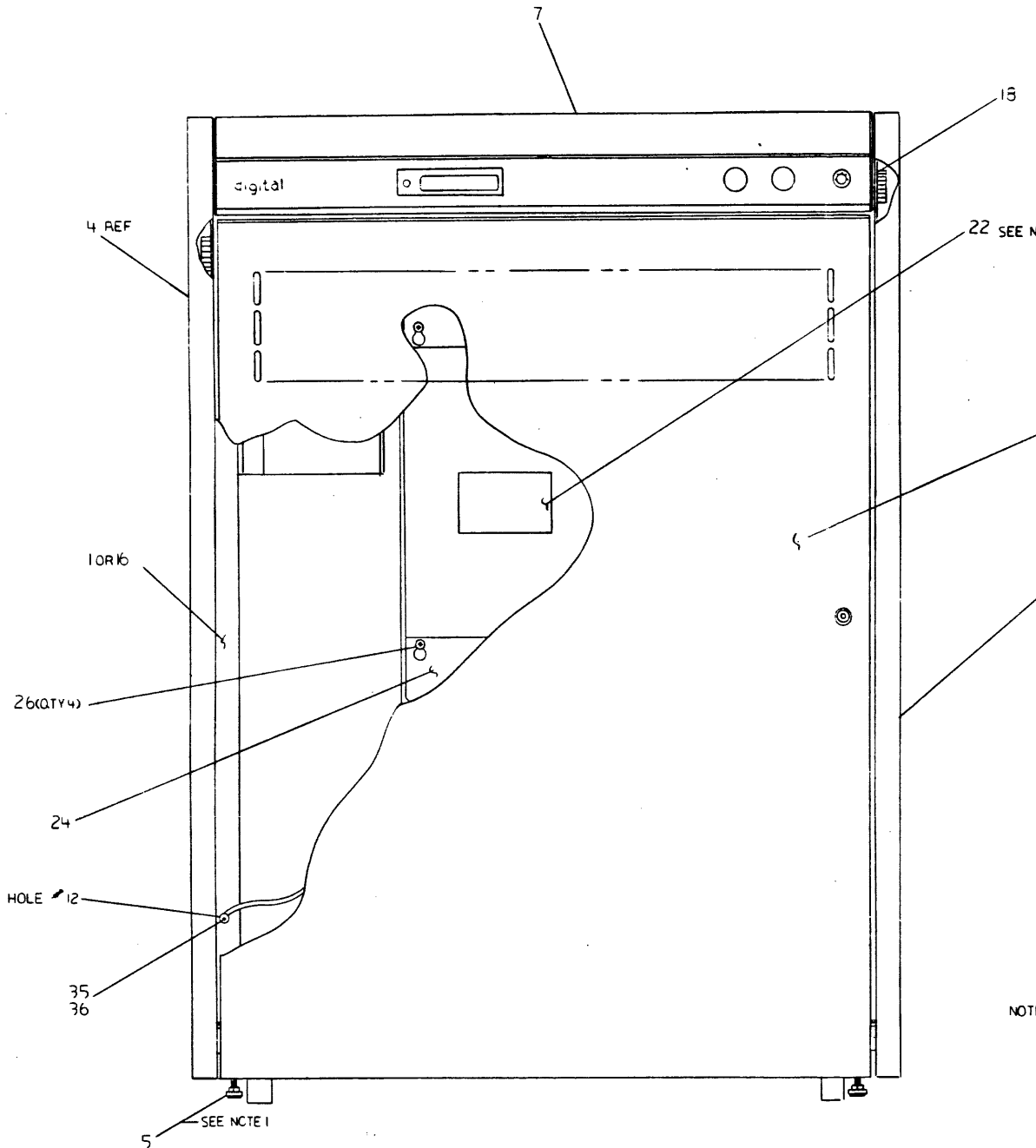
TITLE: TABLE OF CONTENTS (11/750-F)			
SIZE	CODE	NUMBER	REV
K	TC	11/750-F-1	B
DIST.			

THIS DRAWING AND SPECIFICATIONS, HEREIN, ARE THE PROPERTY OF THE MANUFACTURER. NO PART THEREOF IS TO BE REPRODUCED OR TRANSMITTED IN ANY FORM OR BY ANY MEANS, ELECTRONIC OR MECHANICAL, INCLUDING PHOTOCOPYING, RECORDING, OR BY ANY INFORMATION STORAGE AND RETRIEVAL SYSTEM, WITHOUT PERMISSION IN WRITING FROM THE MANUFACTURER.

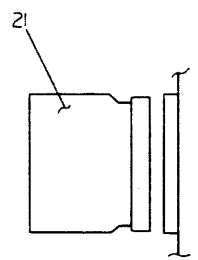
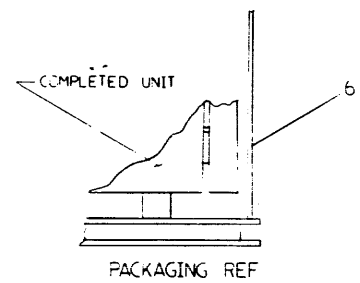
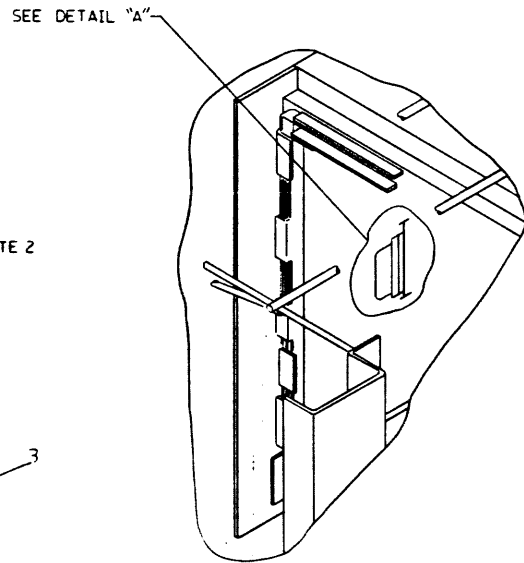
LEGEND	
NUMBER	VARIATION
11750-FA	120V, 50/60 HZ
11750-FB	240V, 50/60 HZ

- NOTE:  
 1. ITEM 5 TO BE INSTALLED IN THE FIELD  
 2. LOCATE APPROX. AS SHOWN.  
 3. FOR TORQUE SPEC. SEE A-SP-7665328-0-0  
 4. ITEM 42 TO BE INSTALLED IF REQUIRED, AT SYSTEM INSTALLATION.

J  
H  
F  
E  
D  
C  
B



FRONT VIEW



NOTE:  
 SHROUD FOR SID SWITCH LOCATED BETWEEN B4-17 B4-18 B4-59 AND B4-60.  
 COMPONENT SIDE TOWARD SLOT 1  
 SEE A-SP-KA750-0-3 FOR SWITCH SETTING.

OFF SHEET PARTS LIST  
 SEE K-PL-11750-F-DBP  
 (25489B.PLS)

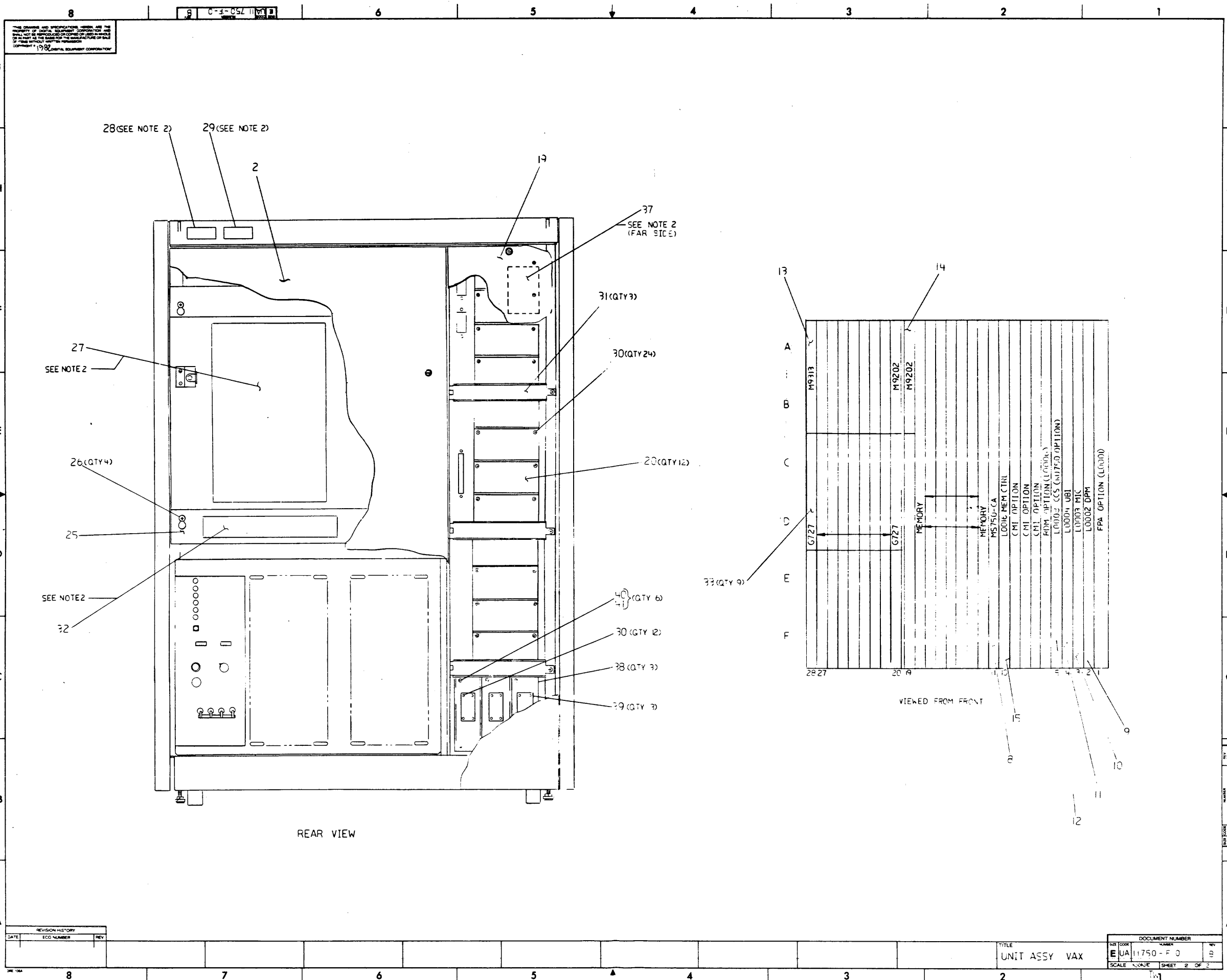
8  
 7  
 6  
 5  
 4  
 3  
 2  
 1

QUANTITY & VARIATION	DESCRIPTION	DRAWING NO.	PART NO.	REV.
4	SHROUD FOR SID SWITCH	A-SP-KA750-0-3	B4-17, B4-18, B4-59, B4-60	1
10R6	RESISTOR			
26(QTY 4)	COMPONENT			
35, 36	CONNECTORS			

UNLESS OTHERWISE SPECIFIED DIMENSIONS ARE IN INCHES AND THE FOLLOWING TOLERANCES APPLY (PER DECIPROT 114)				
FINISH	THIRD ANGLE PROJECTION	DATE: 11-22-83	TITLE: UNIT ASSEMBLY	
DO NOT SCALE DRAWING		DATE: 11-22-83	VAX 11750	
REMOVE BLURBS AND BREAK SHARP CORNERS		DATE: 11-22-83		
		DATE: 11-22-83		
		DATE: 11-22-83		
		DATE: 11-22-83		
		DATE: 11-22-83		
		DATE: 11-22-83		

K-PL-11750-F-DBP



THIS DRAWING AND SPECIFICATIONS HEREAFTER ARE THE PROPERTY OF DIGITAL EQUIPMENT CORPORATION AND SHALL NOT BE REPRODUCED OR COPIED OR USED IN WHOLE OR IN PART AS THE BASIS FOR THE MANUFACTURE OF THIS PRODUCT OR ANY OTHER PRODUCT WITHOUT THE WRITTEN PERMISSION OF DIGITAL EQUIPMENT CORPORATION.

REVISION HISTORY		
DATE	ECO NUMBER	REV

TITLE  
UNIT ASSY VAX

DOCUMENT NUMBER	
REV	NUMBER

SCALE NONE SHEET 2 OF 2

LINE	ITEM	DOCUMENT NUMBER	PART NUMBER	DESCRIPTION	QUANTITY PER VARIATION	
					FA	FB
1	1	E-UA-7019603-0-0	7019603-00	CAB ASSY VAX 11/750 D	1	-
2	2	E-UA-H9544-B-0	H9544-BJ	SHIELDED REAR DOOR,11750	1	1
3	3	E-UA-H9544-E-0	H9544-EJ	SHIELDED FRONT DOOR,11750	1	1
4	4	E-UA-H9544-A-0	H9544-AA	40" END PANEL, GREY, DARKBR. INL	2	2
5	5	K-PL-7019606-0-DBP		ACCESSORY KIT	1	1
6	6	A-SP-3700436-0-0	3700436-06	CAB H9645 REPLACES VAR. 03	1	1
7	7	E-UA-H9544-L-0	H9544-LJ	SHIELDED TOP COVER,40" WIDE BODY	1	1
8	8	E-UA-MS750-0-0	MS750-CA	1MB ECC EXPANSION (M8750-CA)	1	1
9	9	E-UA-L0002-0-0	L0002-00	DPM (DATA PATH & MICRO SEQUENCER	1	1
10	10	E-UA-L0003-0-0	L0003-00	MEMORY INTERFACE	1	1
11	11	E-UA-L0004-0-0	L0004-00	UNIBUS INTERFACE	1	1
12	12	E-UA-L0008-0-0	L0008-00	RENAMED L0008-YA	1	1
13	13	E-UA-M9313-0-0	M9313-00	UNIBUS EXERCIZER + TERMINATOR (U	1	1
14	14	E-UA-M9202-0-0	M9202-00	CABLE UNIBUS JUMPER	1	1
15	15	E-UA-L0016-0-0	L0016-00	64K MEMORY CONTROL,4-LAYER HEX 1	1	1
16	16	E-UA-7019603-0-0	7019603-01	CABINET ASSY VAX 11750F.(250V.)	0	1
17	17	D-UA-DMF32-0-0	DMF32-AA	8 ASYNC & 1 SYNC SLU,PARALEL INT	1	1
18	18	E-UA-H9544-A-0	H9544-AH	SHIELDING INSERT,11750 UNIQUE	1	1
19	19	E-UA-H9544-B-0	H9544-BH	SHIELDED REAR DOOR,40" WIDE BODY	1	1
20	20	C-MD-7426407-0-1	7426407-01	PANEL,SUB,DOUBLE	11	11
21	21	D-UA-5415142-0-0	5415142-00	11/750 SYSTEM REV LEVEL INPUT DE	1	1
22	22	A-PS-3621230-0-0	3621230-01	LABEL MODULE UTILIZATION	1	1
23	23	A-PS-3618307-0-0	3618307-05	ASSY,04,01	1	1
24	24	D-AD-7020272-0-0	7020272-00	COVER, CARD CAGE ASSY. FRONT	1	1
25	25	D-AD-7020271-0-0	7020271-00	COVER, CARD CAGE ASSY. REAR	1	1
26	26		9009700-00	SCREW,SEMS TRUSS PHIL 10-	8	8
27	27	A-PS-3617171-0-0	3617171-00	LABEL,BACKPLANE CABLE LOCATIONS	1	1
28	28	A-PS-3617674-0-0	3617674-01	LABEL,SERIAL & POWER W/UL & CSA	1	1
29	29	A-PS-3617880-0-0	3617880-02	LABEL,FCC CLASS A PROCESSOR	1	1
30	30		9009643-00	SCREW,SEMS PAN PHIL 4-	22	22

REVISION HISTORY		BASIC PART NO: 11750		DRN: R. J. RILEY	DATE: 02-DEC-82	D I G I T A L	
ENG:	ECO NUMBER	REV	SECTION A OF A	CHK'D: R. J. RILEY	DATE: 02-DEC-82	TITLE PARTS LIST	
	INITIAL	A	SECTION VARIATION INDEX			UNIT ASSY VAX 11750-F	
			[A] FA,FB	DES.ENG.: P. GILDEA	DATE: 02-DEC-82	DOCUMENT NUMBER	
			[B]	RESP.ENG.: P. GILDEA	DATE: 02-DEC-82	SIZE: K	CODE: PL
			[C]	MFG.ENG.: R. SMITH	DATE: 02-DEC-82	NUMBER: 11750-F-DBP	REV: A
			[D]	ASSEMBLY NUMBER:	TOP DOCUMENT NUMBER:	FILE NAME:	EDIT #:
			[E]	E-UA-11750-F-0	B-DD-11750-F-0	Z5489A.PLS	11
			[F]				

"THIS DRAWING AND SPECIFICATIONS HEREIN, ARE THE PROPERTY OF DIGITAL EQUIPMENT CORPORATION AND SHALL NOT BE REPRODUCED OR COPIED OR USED IN WHOLE OR IN PART AS THE BASIS FOR THE MANUFACTURE OR SALE OF ITEMS WITHOUT WRITTEN PERMISSION. COPYRIGHT (C) 1983. DIGITAL EQUIPMENT CORPORATION"

AUTOMATED BY PRTLST.3P(44)

P A R T S L I S T

SHEET A2 OF A2

LINE	ITEM	DOCUMENT NUMBER	PART NUMBER	DESCRIPTION	QUANTITY PER VARIATION	
					FA	FB
31	31	D-MD-7427464-0-0	7427464-01	BRACE,CABLE BUNDLE	3	3
32	32	A-PS-3615087-0-0	3615087-02	LABEL,"DANGER-HIGH CURRENT"	1	1
33	33	D-UA-G727-0-0	OG727-00	SHORTS DD11 W/O PERIPH CONT	8	8
34	34		9007032-00	TIE,CABLE BUNDL.DIA 0-1-3/4"=101	3	3

D	I	G	I	T	A	L	TITLE	UNIT ASSY VAX 11750-F	SECTION A OF A	SIZE	CODE	DOCUMENT NUMBER	REV
										K	PL	11750-F-DBP	A

"THE MATERIAL HEREIN IS FOR INFORMATION PURPOSES ONLY AND IS SUBJECT TO CHANGE WITHOUT NOTICE. DIGITAL EQUIPMENT CORPORATION ASSUMES NO RESPONSIBILITY FOR ANY ERRORS WHICH MAY APPEAR HEREIN."

\*\*\* DRAWING DIRECTORY \*\*\*

UNIT VARIATIONS	
VAR	TITLE
-FA	UNIT ASSY 115V
-FB	UNIT ASSY 230V

REVISION HISTORY								USED ON OPTION/MODEL		DRN.	DATE		
ENG	ECO NUMBER	REV	ENG	ECO NUMBER	REV	ENG	ECO NUMBER	REV	11/750-FA	R.J. RILEY	11-30-82		
PG	11750-F-TW001	B							11/750-FB	CHK'D R.J. RILEY	DATE 11-30-82		
										PROJ. ENG. P. GILDEA	DATE 11-30-82		
										PROD. R. SMITH	DATE 11-30-82		
								SHEET 1 OF 6				d i g i t a l	

"THIS DRAWING AND SPECIFICATIONS, HEREIN, ARE THE PROPERTY OF DIGITAL EQUIPMENT CORPORATION AND SHALL NOT BE REPRODUCED OR COPIED OR USED IN WHOLE OR IN PART AS THE BASIS FOR THE MANUFACTURE OR SALE OF ITEMS WITHOUT WRITTEN PERMISSION. COPYRIGHT © 1982 DIGITAL EQUIPMENT CORPORATION."

TITLE: DRAWING DIRECTORY (11/750-F)			
SIZE	CODE	NUMBER	REV
K	DD	11/750-F	B
DIST.			

TW



	DRAWING NUMBER	DESCRIPTION			DRAWING NUMBER	DESCRIPTION	
1	E-UA-11/750-F-0	UNIT ASSY VAX 11/750-F	E/M				
	K-PL-11/750-F-DBP	UNIT ASSY VAX 11/750-F PART LIST					
	C-MD-7426407-0-0	PANEL, SUB, DOUBLE					
	A-PS-3618307-0-0	ASSY 04, 01					
	A-PS-3617171-0-0	LABEL, B/P		5	B-DD-H9544-L	SHIELDED, TOP COVER	M
	A-PS-3617880-0-0	LABEL, FCC					
	C-MD-7427464-0-0	BRACE, CABLE					
	A-PS-3615087-0-0	LABEL, DANGER HIGH VOLTAGE					
	A-PS-3617674-0-0	LABEL, SERIAL					
	A-PS-3621230-0-0	LABEL, M/U		6	B-DD-MS750-0	ECC EXPANSION	E
	K-SA-11750-F-0	CONFIGURATION CONTROL DOC.					
	K-SA-11750-F-1	CONFIGURATION CONTROL DOC.					
	K-PL-7019606-0-DBP	SHIP LIST 11750-F					
2	B-DD-H9544-B	SHIELD, REAR DOOR	M				
				7	B-DD-L0002-0	DPM	E
3	B-DD-H8544-E	SHIELD, FRONT DOOR	M				
				8	B-DD-L0003-0	MEMORY INTERFACE	E
4	B-DD-H9544-A	40" END PANEL	M	9	B-DD-L0004-0	UNIBUS INTERFACE	E
TYPE: E = ELECTRICAL M = MECHANICAL E/M = ELECTRO/MECHANICAL			TITLE: DRAWING DIRECTORY 11/750 F		SHEET 2 OF 6   SIZE   CODE   NUMBER   K   DD   11750-F		REV B

DRAWING NUMBER	DESCRIPTION		DRAWING NUMBER	DESCRIPTION			
			15	D-AD-7020272-0-0	COVER, CARD CAGE ASSY FRONT	M	
				K-PL-7020272-0-DBP	COVER, CARD CAGE ASSY PARTS LIST		
				D-MD-7427929-0-0	COVER CARD CAGE		
10	B-DD-L0008-0	CONTROL STORE	E	C-MD-7423052-0-0	LATCH DOOR		
			16	D-AD-7020271-0-0	COVER, CARD CAGE ASSY REAR	M	
11	B-DD-M9313-0	UNIBUS TERMINATOR	E	K-PL-7020721-0-DBP	COVER, CARD CAGE PARTS LIST		
				D-MD-7427929-0-0	COVER, CARD CAGE		
				D-MD-7427928-0-0	BRKT, DOOR LOCK		
12	B-DD-M9202-0	CABLE UNIBUS JUMPER	E				
			17	B-DD-5415142-0	11/750 SYSTEM REV INPUT	E	
13	B-DD-L0016-0	64K MEMORY CONTROLLER	E	18	E-UA-7019603-0-0	CAB ASSY VAX 11/750 F	M
					K-PL-7019603-0-DBP	CAB ASSY VAX 11/750 F PARTS LIST	
					D-MD-7421648-0-0	BRKT, FAN MTG	
					D-MD-7427927-0-0	BRKT, UPPER BATTERY BACK UP	
14	B-DD-DMF32-0	8A SYNC / 1 SYNC	E		D-IA-7427926-0-0	BRKT, BATTERY BACK UP	
					B-MD-7423560-0-0	BATTERY BACK UP CONN BRKT	
					C-MD-7423562-0-0	BRKT TU58 PROTECTION	
					A-PS-3617674-0-0	LABEL SERIAL	
					B-MD-7414197-0-0	PLATE, COVER	
TYPE: E = ELECTRICAL M = MECHANICAL E/M = ELECTRO/MECHANICAL			TITLE: <u>diigitall</u> DRAWING DIRECTORY (11/750 F)		SHEET 3 OF 6   SIZE   CODE   NUMBER   REV   K   DD   11750-F   B		

DRAWING NUMBER		DESCRIPTION		DRAWING NUMBER		DESCRIPTION	
19	B-DD-4H545-F	40" WIDE BODYFRAME ASSY	M				
20	B-DD-7016708-0	CARD CAGE ASSY	M	24	D-IA-7016374-0-0	WELDMENT CABLE TROUGH SIDE	M
					B-MD-7422002-0-0	RAIL CABLE TROUGH	
					B-MD-7422003-0-0	PLATE MOUNTING	
					B-MD-7422001-0-0	CROSS BAR, SIDE	
21	B-DD-7016709-0	CONTROL PANEL ASSY	E/M				
				25	B-DD-H7104C-0	7016157-0 7016157-00 (2.5V 85A)	E
22	B-DD-H9544-S	SHIELDED VERTICAL BULKHEAD	M				
				26	B-DD-H7104D-0	7016156-01 7016156-00 (+5 135A)	E
23	D-AD-7016944-0-0	TU58 BOARD AND BRACKET ASSY	E/M				

TYPE: E = ELECTRICAL  
M = MECHANICAL  
E/M = ELECTRO/MECHANICAL

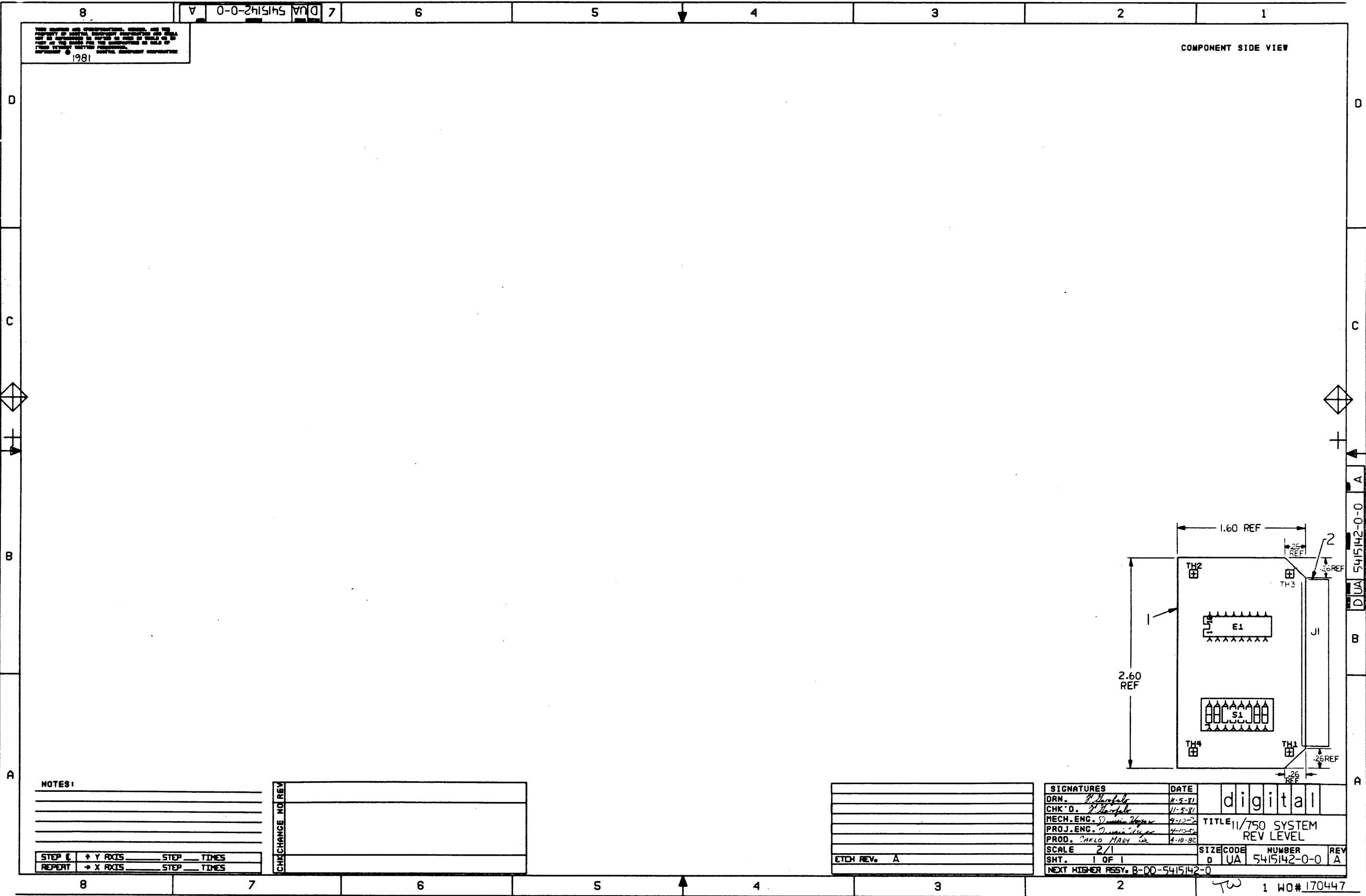
digital

TITLE:  
DRAWING DIRECTORY  
(11/750 F)

SHEET 4	OF 6	SIZE	CODE	NUMBER	REV
		K	DD	11750-F	B

DRAWING NUMBER		DESCRIPTION		DRAWING NUMBER		DESCRIPTION	
				30	C-AD-7016894-0-0	TIME OF YEAR BATTERY	E/M
					C-MD-7422756-0-0	BRACKET TIME OF YEAR MOUNTING	
27	B-DD-875-0	POWER CONTROLLER ASSY	E				
28	E-IA-7015708-0-0	ENCLOSURE ASSY	M				
	D-IA-7420913-0-0	CHASSIS ENCLOSURE		31	B-IA-7014099-0-0	NUT PLATE ASSY	M
	B-MD-7420916-0-0	BRACKET PLENUM					
	E-MD-7421597-0-0	PLENUM POWER SUPPLY					
	D-MD-7422017-0-0	BRACKET AIR DEFLECTOR					
	B-MD-7422755-0-0	BRACKET AIR FLOW SENSOR					
				32	D-UA-7016922-0-0	FILTERED CABLE ASSY	E/M
29	D-AD-7020273-0-0	PANEL ASSY FRONT	M				
	K-PL-7020273-0-DBP	PANEL ASSY FRONT PARTS LIST		33	C-IA-7016938-0-0	POWER CABLE ASSY	E/M
	E-MD-7427930-0-0	PANEL FRONT					
	B-MD-7421122-0-0	SUPPORT BOTTOM					
	A-PS-3616590-0-0	LABEL, DANGER HIGH VOLTAGE					
				34	D-IA-7016930-0-0	CONSOLE, POWER CABLE ASSY	E/M
TYPE: E = ELECTRICAL M = MECHANICAL E/M = ELECTRO/MECHANICAL			<u>digital</u>	TITLE: DRAWING DIRECTORY (11/750 F)		SHEET 5 OF 6   SIZE   CODE   NUMBER   K   DD   11750-F	REV B

	DRAWING NUMBER	DESCRIPTION			DRAWING NUMBER	DESCRIPTION	
35	E-IA-7016931-0-0	TU58 CABLE ASSY	E/M	41	D-IA-7016379-0-0	HARNESS 2.5V/5V	E/M
36	E-IA-7016153-0-0	AC HARNESS	E/M	42	D-IA-7016909-0-0	BLOWER CORD ASSY	E/M
37	D-IA-7016513-0-0	CONTROL CABLE ASSY	E/M	43	D-IA-7016928-0-0	PATCH CABLE AIR FLOW	E/M
38	E-IA-7016385-0-0	HARNESS, POWER SIGNAL	E/M	44	D-IA-7014320-0-0	AIR FLOW SENSOR ASSY	E/M
39	D-IA-7016929-0-0	CONSOLE SIGNAL CABLE ASSY	E/M	45	K-PL-7019606-0-DBP	SHIP LIST 11/750 F	E/M
40	D-IA-7016516-0-0	REMOTE SENSE CABLE ASSY	E/M	46	D-IA-7018135-0-0	CABLE TROUGH TOP	M
					K-PL-7018735-0-DBP	CABLE TROUGH TOP PARTS LIST	
					C-MD-7425180-0-0	SUPPORT ROD	
					C-MD-7425181-0-0	TIE ROD	
					B-MD-7425282-0-0	WIRE FORM #4	
				47	C-IA-7016945-0-0	BATTERY PACK	E



THIS DRAWING AND ASSOCIATED DATA ARE THE PROPERTY OF THE UNITED STATES GOVERNMENT AND ARE TO BE REPRODUCED IN WHOLE OR IN PART AS PROVIDED BY THE EXECUTIVE ORDER OF THE PRESIDENT FOR THE PROTECTION OF THIS DRAWING. THE UNITED STATES GOVERNMENT PRINTING OFFICE: 1981

COMPONENT SIDE VIEW

NOTES:  
 \_\_\_\_\_  
 \_\_\_\_\_  
 \_\_\_\_\_  
 \_\_\_\_\_  
 \_\_\_\_\_  

STEP #	+ Y AXIS	STEP	TIMES
REPURT	+ X AXIS	STEP	TIMES

CHG CHANGE NO REV	

ETCH REV. A

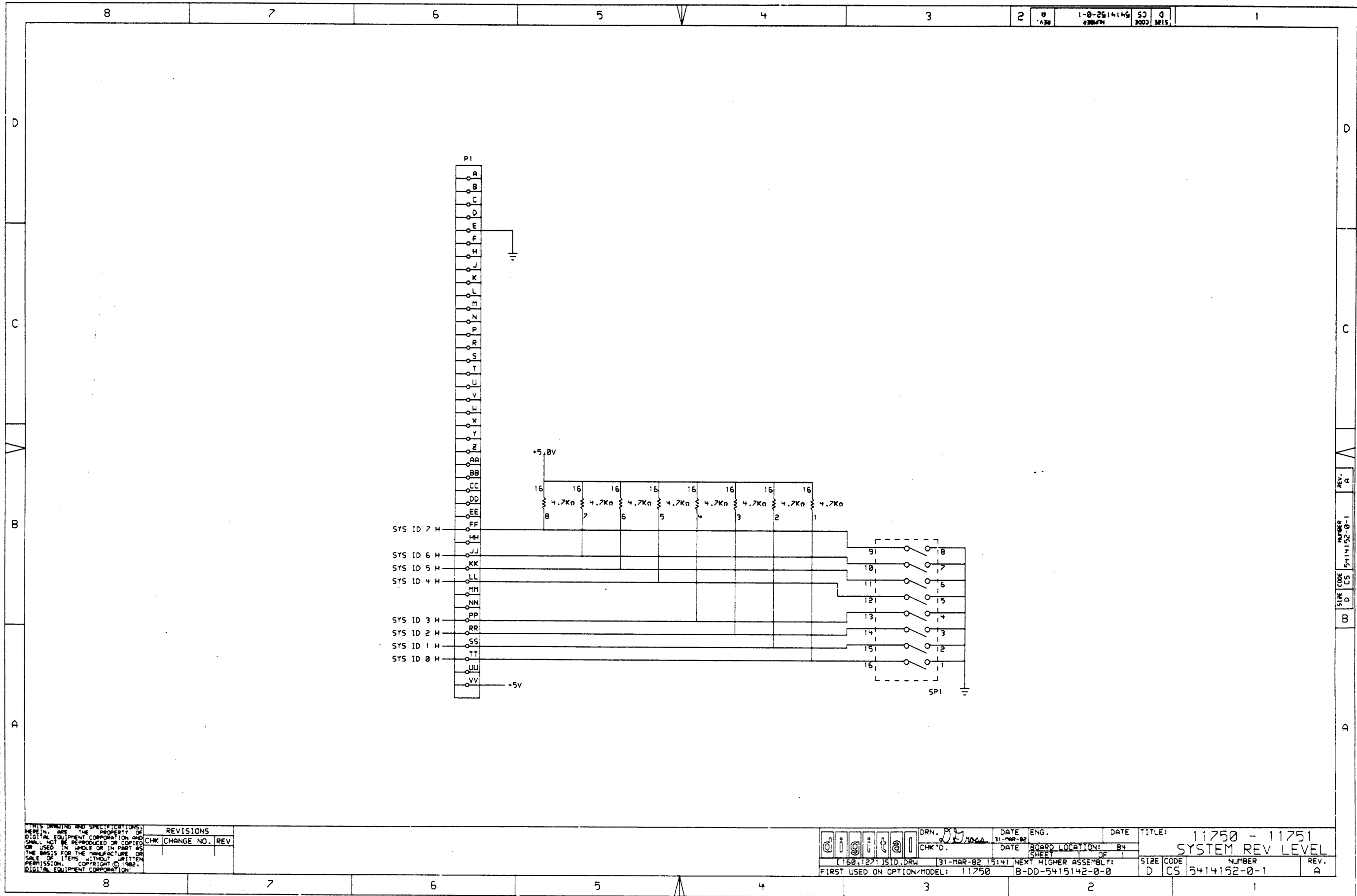
SIGNATURES	DATE
DRN. <i>P. Hartals</i>	8-5-81
CHK'D. <i>P. Hartals</i>	11-5-81
MECH. ENG. <i>D. Harris</i>	9-12-81
PROJ. ENG. <i>D. Harris</i>	4-10-81
PROD. <i>MARLO HAGY</i>	4-10-81
SCALE 2/1	
SHT. 1 OF 1	
NEXT HIGHER RESY. B-00-5415142-0	

digital		
TITLE 11/750 SYSTEM		
REV LEVEL		
SIZE	CODE	NUMBER
d	UA	5415142-0-0

TW 1 WO# 170447

8 A 0-0-2415142-0 A 7 DUA 5415142-0-0 6 5 4 3 2 1

A B C D 8 7 6 5 4 3 2 1



COMETCHIP5, I160,1271 J51D.DRW, SCALE 2, "D" RELEASE BOX

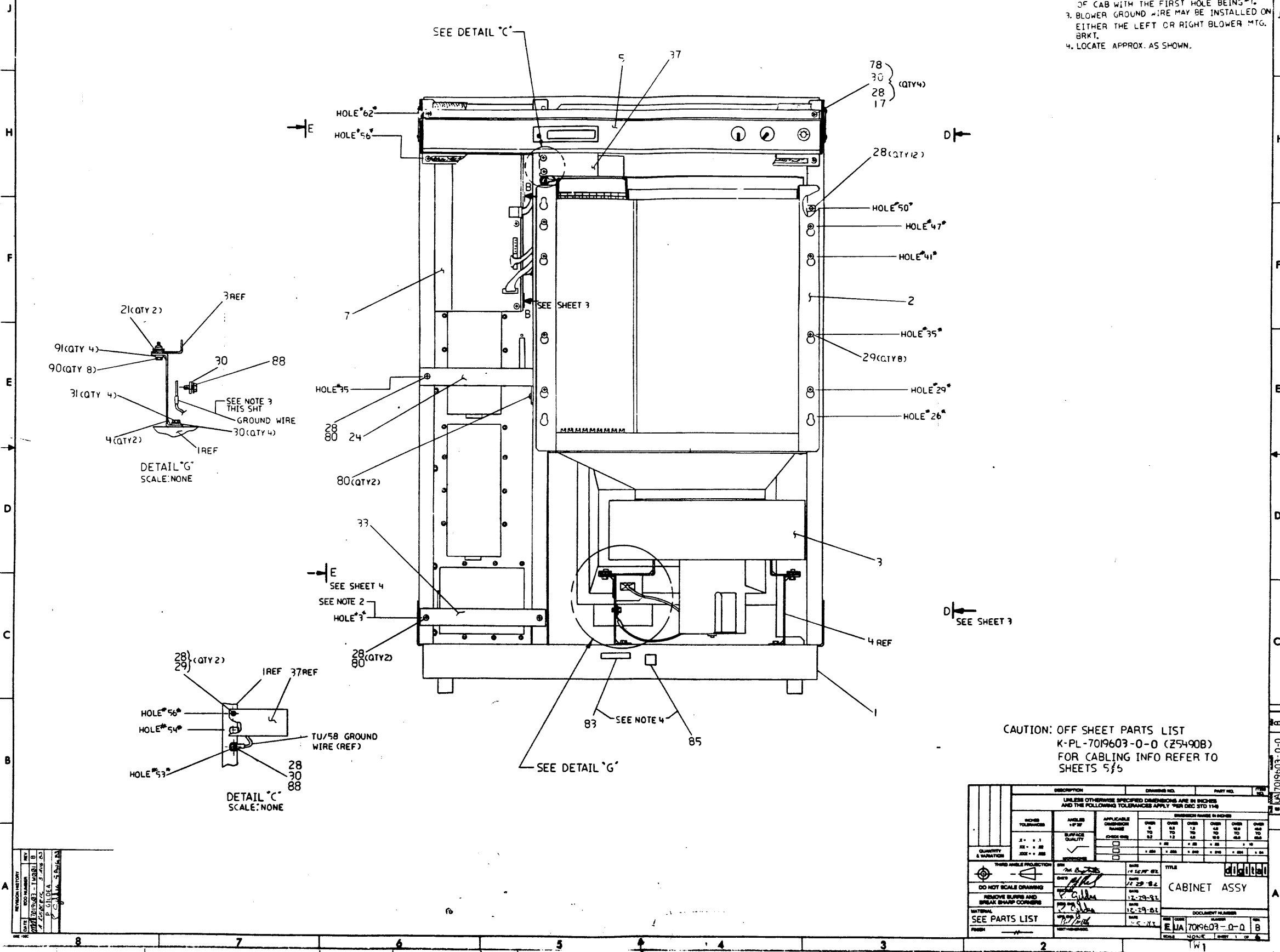
THIS DRAWING AND SPECIFICATIONS  
HEREIN ARE THE PROPERTY OF  
DIGITAL EQUIPMENT CORPORATION AND  
SHALL NOT BE REPRODUCED OR COPIED  
OR USED IN WHOLE OR IN PART AS  
THE BASIS FOR THE MANUFACTURE OR  
SALE OF ITEMS WITHOUT WRITTEN  
PERMISSION. COPYRIGHT © 1982,  
DIGITAL EQUIPMENT CORPORATION

REVISIONS		
CHK	CHANGE NO.	REV

digital	DRN. <i>D. J. ...</i>	DATE 31-MAR-82	ENG.	DATE	TITLE: 11750 - 11751 SYSTEM REV LEVEL
	CHK'D.	DATE	BOARD LOCATION: B4	SHEET 1 OF 1	SIZE CODE D CS
FIRST USED ON OPTION/MODEL: 11750		NEXT HIGHER ASSEMBLY: B-DD-5415142-0-0		NUMBER 5414152-0-1	REV. A

THIS DRAWING AND SPECIFICATIONS HEREON ARE THE PROPERTY OF WESTINGHOUSE ELECTRIC CORPORATION AND ARE NOT TO BE REPRODUCED OR COPIED IN ANY MANNER OR IN PART OR IN WHOLE FOR THE MANUFACTURE OF THIS OR ANY OTHER EQUIPMENT WITHOUT THE WRITTEN PERMISSION OF THE ORIGINAL SUPPLIER.

- NOTES:
1. FOR TORQUE SPECS. SEE A SP-7665328-0-0.
  2. ALL HOLE LOCATIONS ARE FROM BOTTOM OF CAB WITH THE FIRST HOLE BEING #1.
  3. BLOWER GROUND WIRE MAY BE INSTALLED ON EITHER THE LEFT OR RIGHT BLOWER M.T.G. BRKT.
  4. LOCATE APPROX. AS SHOWN.



CAUTION: OFF SHEET PARTS LIST  
K-PL-7019603-0-0 (Z54908)  
FOR CABLING INFO REFER TO  
SHEETS 5/6

QUANTITY & VARIATION	PART NO.	DESCRIPTION	DRAWING NO.	PART NO.	REV.	DIMENSION TOLERANCES IN INCHES					
						OVER	UNDER	OVER	UNDER	OVER	UNDER
± .1						0.005	0.005	0.005	0.005	0.005	0.005
± .05						0.005	0.005	0.005	0.005	0.005	0.005
± .01						0.005	0.005	0.005	0.005	0.005	0.005
± .005						0.005	0.005	0.005	0.005	0.005	0.005
± .002						0.005	0.005	0.005	0.005	0.005	0.005

THIRD ANGLE PROJECTION	DATE	BY	CHKD	DATE	BY
DO NOT SCALE DRAWINGS	12-29-54	WJ	WJ	12-29-54	WJ
REMOVE BURRS AND BREAK SHARP CORNERS	12-29-54	WJ	WJ	12-29-54	WJ
MATERIAL	12-29-54	WJ	WJ	12-29-54	WJ
SEE PARTS LIST	12-29-54	WJ	WJ	12-29-54	WJ

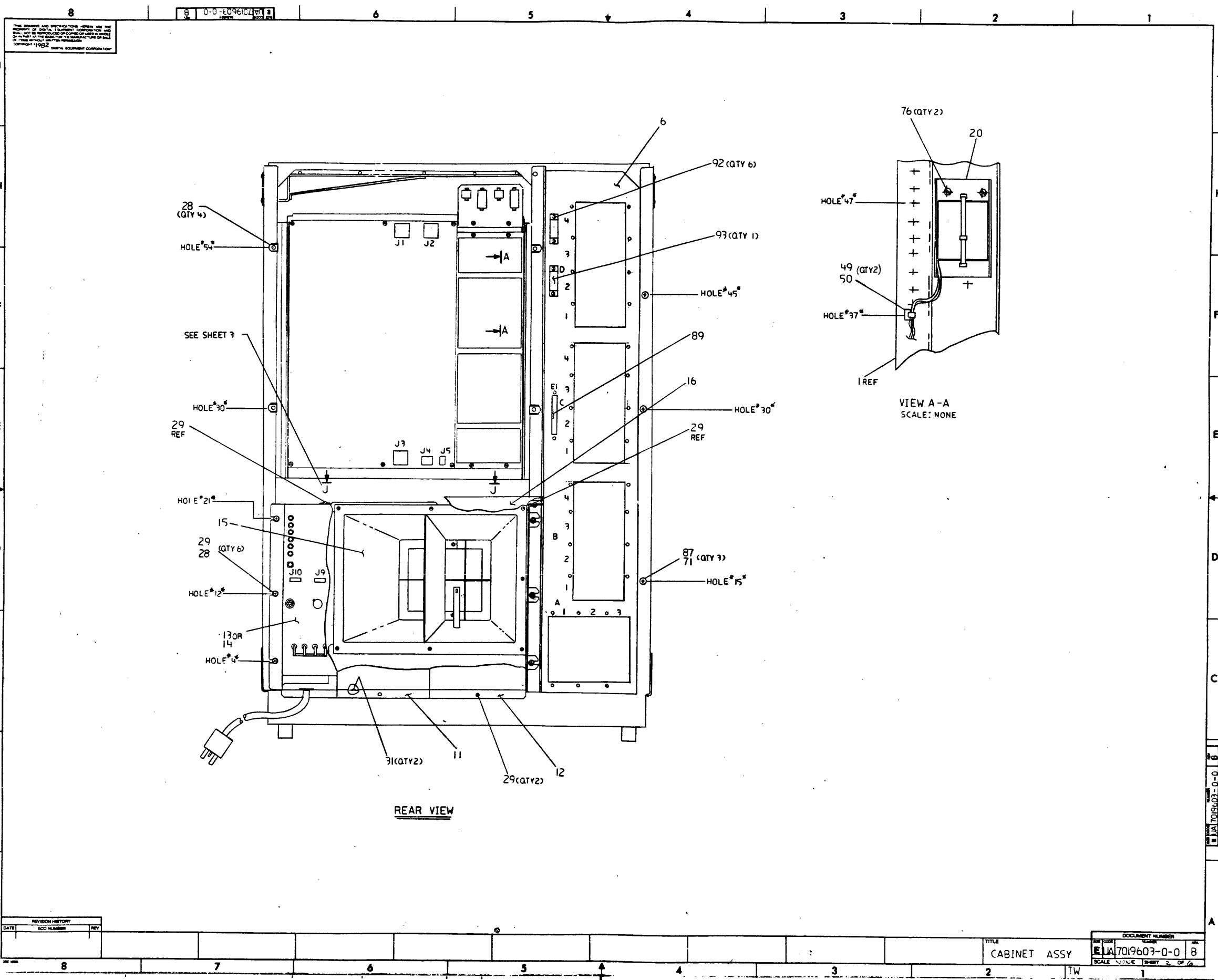
  

TITLE	CABINET ASSY
DOCUMENT NUMBER	EJA 7019603-0-0 B
SCALE	1:1

REVISION HISTORY

REV.	DATE	DESCRIPTION
1	12-29-54	INITIAL DESIGN
2	1-10-55	REVISED TO SHOW
3	1-10-55	REVISED TO SHOW
4	1-10-55	REVISED TO SHOW
5	1-10-55	REVISED TO SHOW



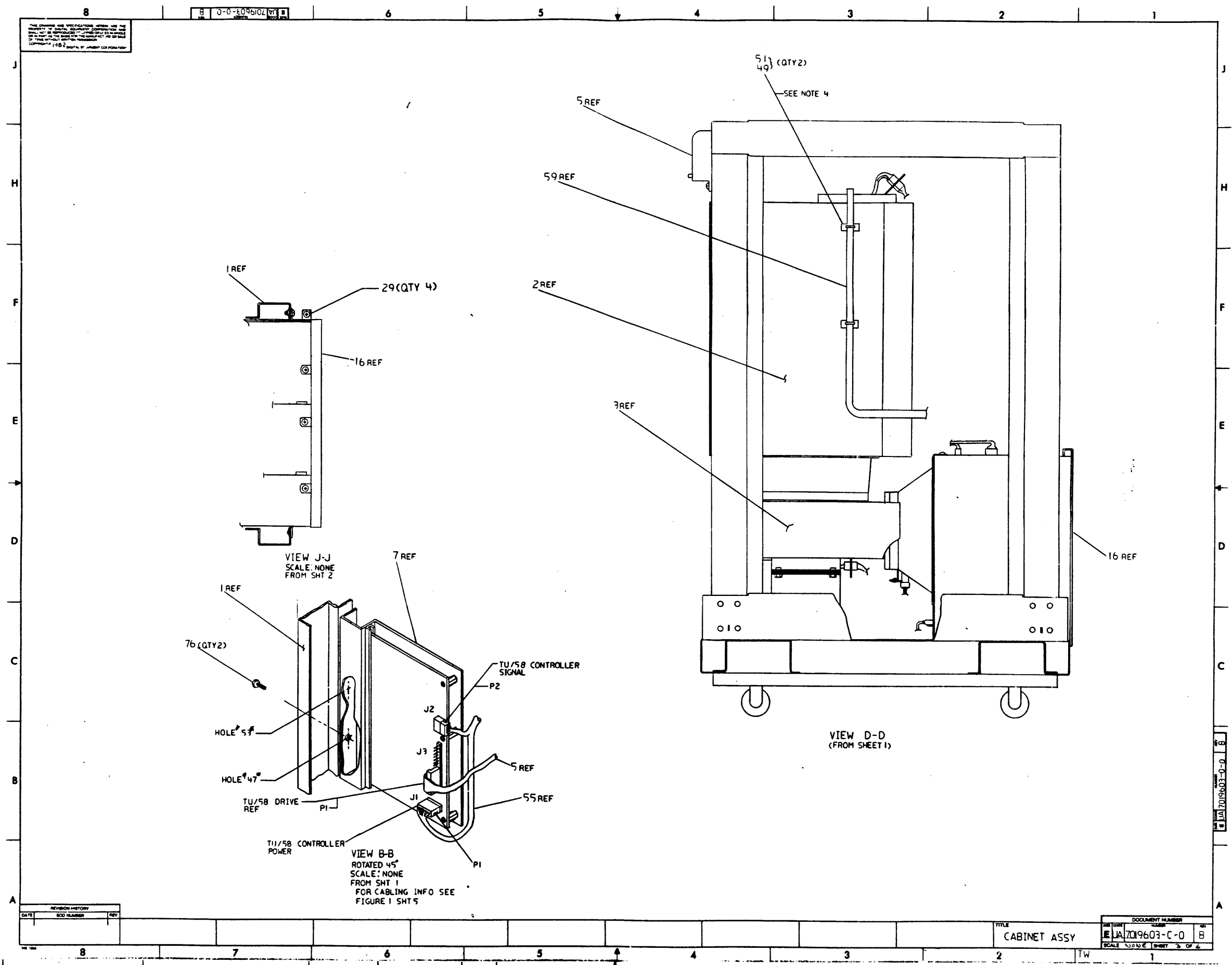


THE DIMENSIONS AND SPECIFICATIONS GIVEN ARE THE PROPERTY OF DIGITAL EQUIPMENT CORPORATION AND SHALL NOT BE REPRODUCED OR TRANSMITTED IN ANY FORM OR BY ANY MEANS, ELECTRONIC OR MECHANICAL, INCLUDING PHOTOCOPYING, RECORDING, OR BY ANY INFORMATION STORAGE AND RETRIEVAL SYSTEM, WITHOUT THE WRITTEN PERMISSION OF DIGITAL EQUIPMENT CORPORATION.

REVISION HISTORY		
DATE	ECO NUMBER	REV

TITLE	CABINET ASSY
DOCUMENT NUMBER	EIA 7019603-0-0 B
SCALE	NONE
SHEET	3 OF 4

THIS DRAWING AND SPECIFICATIONS ARE THE PROPERTY OF JENSEN CORPORATION. NO PART OF THIS DRAWING OR SPECIFICATIONS IS TO BE REPRODUCED OR TRANSMITTED IN ANY FORM OR BY ANY MEANS, ELECTRONIC OR MECHANICAL, INCLUDING PHOTOCOPYING, RECORDING, OR BY ANY INFORMATION STORAGE AND RETRIEVAL SYSTEM, WITHOUT THE WRITTEN PERMISSION OF JENSEN CORPORATION.

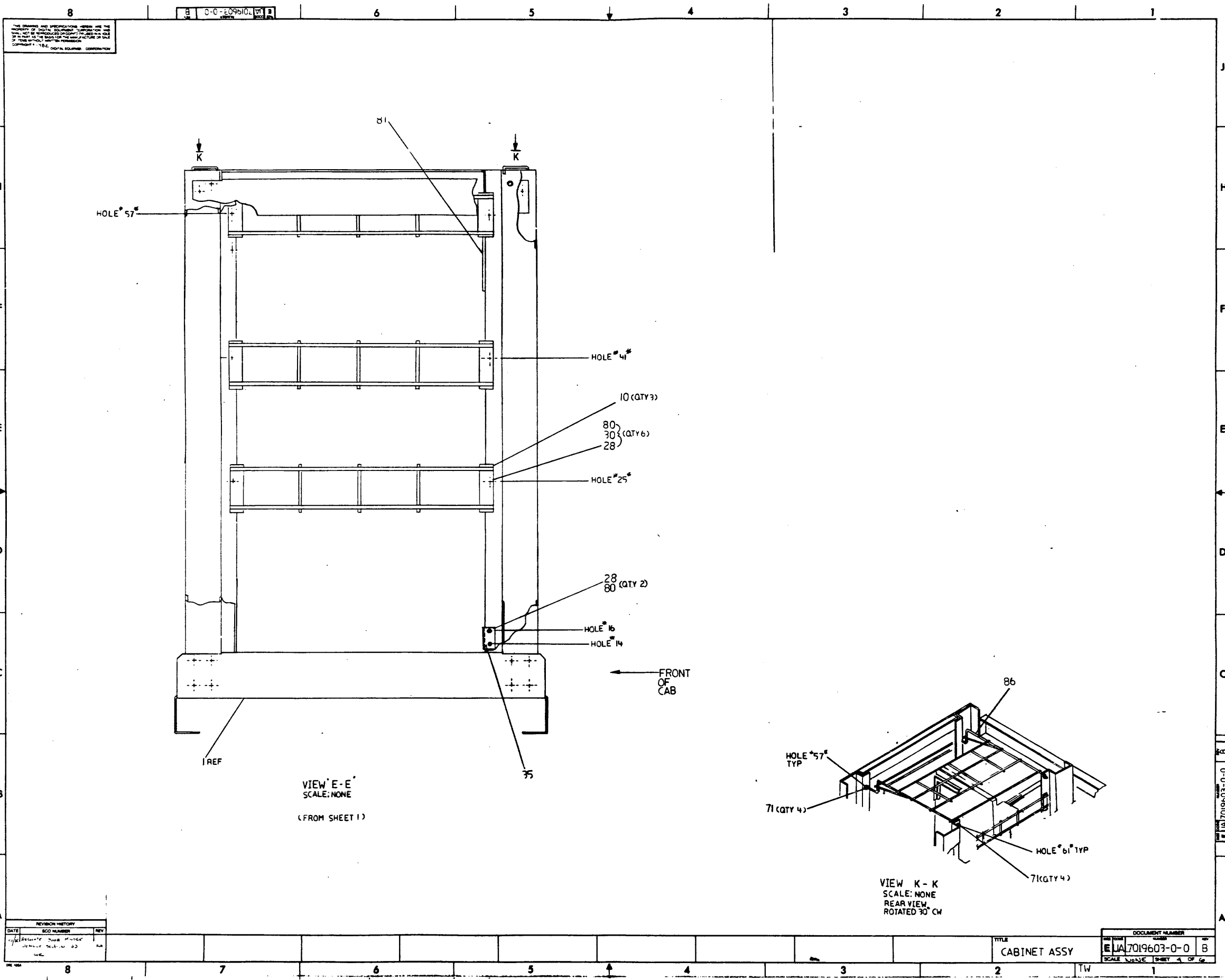


REVISION HISTORY		
DATE	ECO NUMBER	REV

TITLE: CABINET ASSY

DOCUMENT NUMBER: EJA 7019603-C-0 B

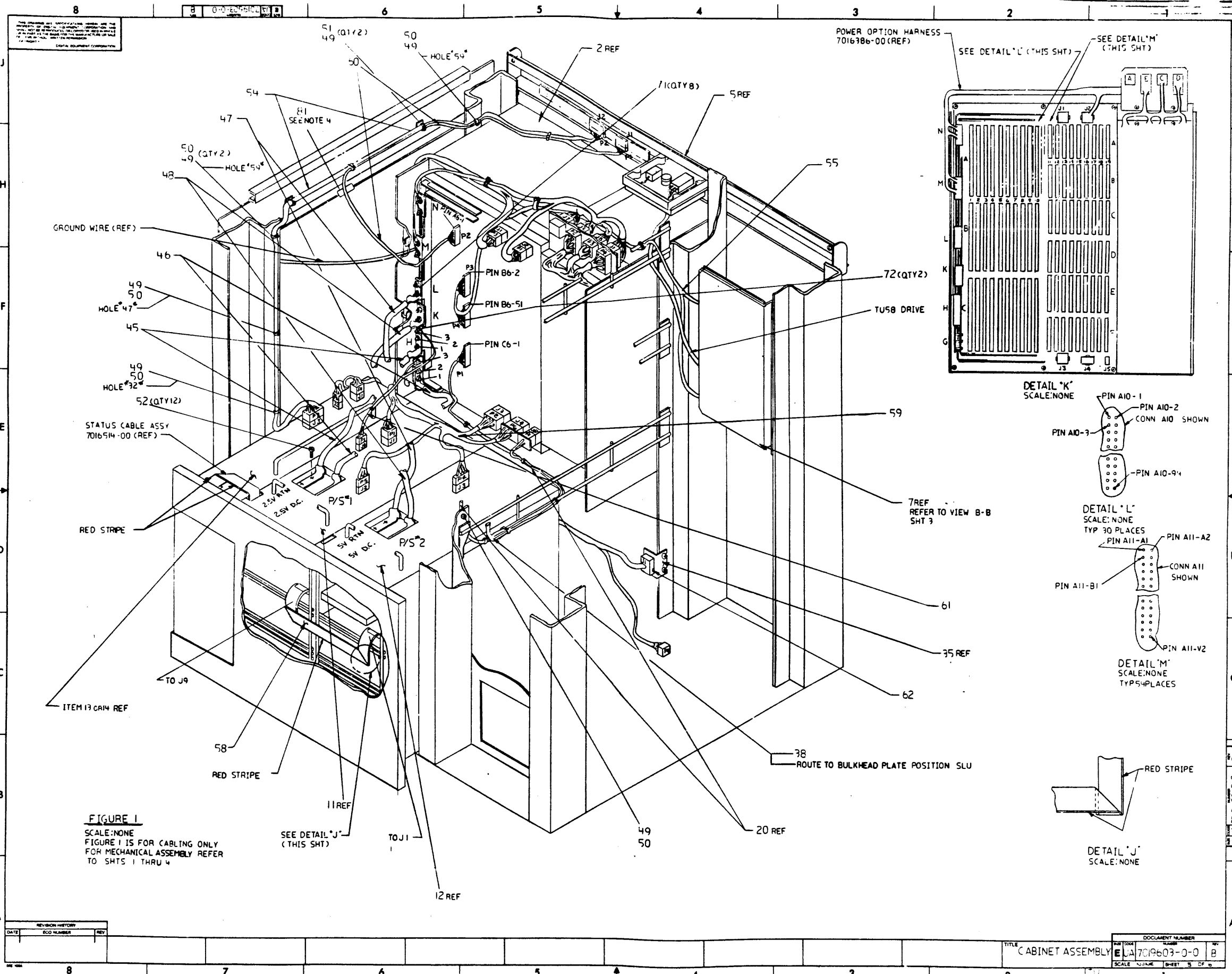
SCALE: NONE SHEET 3 OF 4



REVISION HISTORY		
DATE	ECO NUMBER	REV
11/21/03	0001	1
11/21/03	0002	2
11/21/03	0003	3

TITLE	CABINET ASSY
SCALE	NONE
SHEET	4 OF 6
DOCUMENT NUMBER	EJA 7019603-0-0
REV	B

EJA 7019603-0-0 B



**FIGURE 1**  
 SCALE: NONE  
 FIGURE 1 IS FOR CABLING ONLY  
 FOR MECHANICAL ASSEMBLY REFER  
 TO SHTS 1 THRU 4

SEE DETAIL "J"  
 (THIS SHT)

DETAIL "K"  
 SCALE: NONE

DETAIL "L"  
 SCALE: NONE  
 TYP 30 PLACES

DETAIL "M"  
 SCALE: NONE  
 TYP 54 PLACES

DETAIL "J"  
 SCALE: NONE

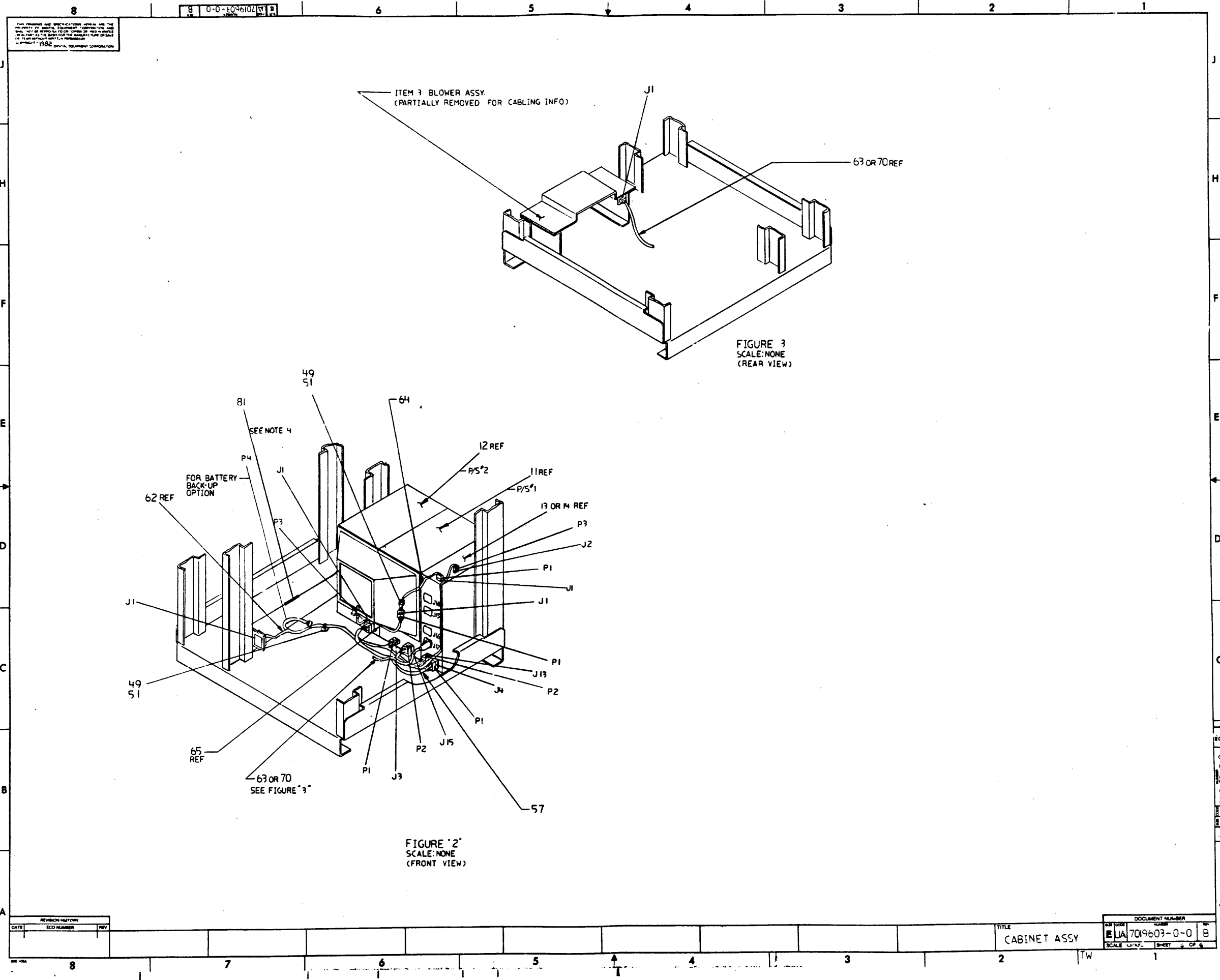
POWER OPTION HARNESS  
 7016786-00 (REF)

SEE DETAIL "L" (THIS SHT)

SEE DETAIL "M" (THIS SHT)

DATE	REVISION HISTORY	ECO NUMBER	REV

TITLE		DOCUMENT NUMBER	
CABINET ASSEMBLY		7016603-0-0	
SCALE	NONE	SHEET	5 OF 10



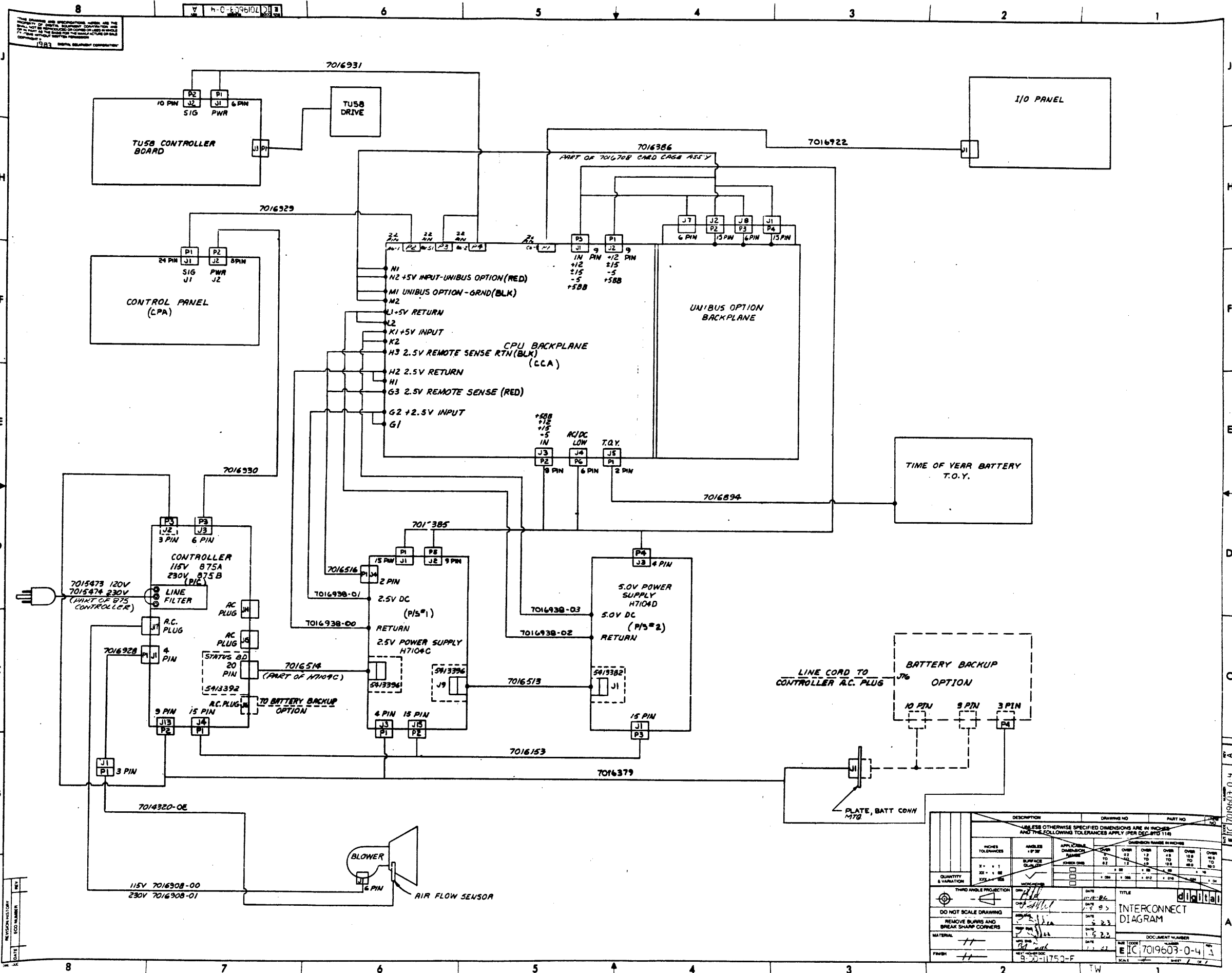
LINE	ITEM	DOCUMENT NUMBER	PART NUMBER	DESCRIPTION	QUANTITY PER VARIATION	
					00	01
1	1	B-DD-H9545-F-0	H9545-FB	40" WIDE BODY FRAME ASSEMBLED FR	1	1
2	2	E-AD-7016708-0-0	7016708-00	CARD CAGE ASSY.	1	1
3	3		1215434-00	BLOWER,FORWD CURVED 340CFM 230V	1	1
4	4	D-MD-7421648-0-0	7421648-00	BRKT. FAN MTG.	2	2
5	5	E-AD-7016709-0-0	7016709-00	CONTROL PANEL ASSY	1	1
6	6	E-UA-H9544-SE-0	H9544-SE	SHIELDED VERTICAL BULKHEAD,H9545	1	1
7	7	D-AD-7016944-0-0	7016944-00	TU58 BOARD AND BRACKET ASSY.	1	1
8	10	D-IA-7016374-0-0	7016374-00	WELDMENT,CABLE TROUGH SIDE	3	3
9	11	C-UA-H7104C-0-0	H7104-C	7016157-01: 7016157-00(2.5V 85A)	1	1
10	12	C-UA-H7404D-0-0	H7104-D	7016156-01: 7016156-00(+5V 135A)	1	1
11	13	C-UA-875-0-0	00875-A	120V 24A PC,POWER SEQUENCING,4 S	1	0
12	14	C-UA-875-0-0	00875-B	875-A EXCEPT 240V 12A	0	1
13	15	E-IA-7015708-0-0	7015708-00	ENCLOSURE ASSY	1	1
14	16	D-AD-7020273-0-0	7020273-00	PANEL ASSY. FRONT	1	1
15	17		9006075-03	SCREW,MACH TRUSS PHIL 10-	4	4
16	20	C-AD-7016894-0-0	7016894-00	TIME OF YEAR BATTERY	1	1
17	21	B-IA-7014099-0-0	7014099-00	NUT PLATE ASSY.	2	2
18	24	D-MD-7427927-0-0	7427927-01	BRACKET,UPPER BATTERY BACK-UP	1	1
19	28		9007786-00	NUT,U-NUT RETAINER .240ID	40	40
20	29		9009700-00	SCREW,SEMS TRUSS PHIL 10-	22	22
21	30		9006664-00	WASHER,FLAT SST	20	20
22	31		9008323-00	SCREW,SEMS HEX SLOT 10-	10	10
23	33	D-IA-7427926-0-0	7427926-01	BRACKET,BATTERY BACK-UP	1	1
24	35	B-MD-7428264-0-0	7428264-01	BRACKET,BATTERY CONN MTG	1	1
25	37	C-MD-7423562-0-0	7423562-00	BRACKET TU58 PROTECTION	1	1
26	38	D-UA-7016922-0-0	7016922-00	FILTERED CABLE ASSY	1	1
27	39	E-IC-7019603-0-4		INTERCONNECTION DIAG	REF	REF
28	45	C-IA-7016938-0-0	7016938-00	POWER CABLE ASSY.	1	1
29	46		7016938-01	POWER CABLE ASSY 2.5V OUTPUT	1	1
30	47		7016938-02	POWER CABLE ASSY,5V RTN	1	1

REVISION HISTORY			BASIC PART NO: 7019603		DRN: R. J. RILEY		DATE: 02-DEC-82		DIGITAL			
ENG	ECO NUMBER	REV	SECTION A OF A	CHK'D:	R. J. RILEY	DATE:	02-DEC-82	TITLE		PARTS LIST		
	INITIAL	A	SECTION VARIATION INDEX					CABINET ASSY VAX 11750				
			[A] 00,01					DOCUMENT NUMBER				
			[B]	DES.ENG.:	P. GILDEA	DATE:	02-DEC-82	SIZE	CODE	NUMBER	REV	
			[C]	RESP.ENG.:	P. GILDEA	DATE:	02-DEC-82	K	PL	7019603-0-DBP	A	
			[D]	MFG.ENG.:	R. SMITH	DATE:	02-DEC-82	ASSEMBLY NUMBER:		TOP DOCUMENT NUMBER:		FILE NAME:
			[E]					E-UA-7019603-0-0		B-DD-7016707-0-0		Z5490A.PLS
			[F]									EDIT #
												14

"THIS DRAWING AND SPECIFICATIONS HEREIN, ARE THE PROPERTY OF DIGITAL EQUIPMENT CORPORATION AND SHALL NOT BE REPRODUCED OR COPIED OR USED IN WHOLE OR IN PART AS THE BASIS FOR THE MANUFACTURE OR SALE OF ITEMS WITHOUT WRITTEN PERMISSION. COPYRIGHT (C) 1983. DIGITAL EQUIPMENT CORPORATION "

LINE	ITEM	DOCUMENT NUMBER	PART NUMBER	DESCRIPTION	QUANTITY PER VARIATION	
					00	01
31	48		7016938-03	POWER CABLE ASSY,5V OUTPUT	1	1
32	49		9007032-00	TIE,CABLE BUNDL.DIA 0-1-3/4"=101	14	14
33	50		9007867-00	MOUNT, PUSH,CABLE TIE	8	8
34	51		9008264-00	MOUNT, CABLE TIE, ADHESIVE BACKE	6	6
35	52		9009228-10	SCREW,SEMS PAN PHIL 10-	12	12
36	54	D-IA-7016930-0-0	7016930-00	CONSOLE POWER CABLE ASSY.	1	1
37	55	E-IA-7016931-0-0	7016931-00	TU58 CABLE ASSY	1	1
38	57	E-IA-7016153-0-0	7016153-00	A C HARNESS	1	1
39	58	D-IA-7016513-0-0	7016513-00	CONTROL,CABLE ASSY	1	1
40	59	E-IA-7016385-0-0	7016385-00	HARNESS PWR,SIGNAL	1	1
41	60	D-IA-7016929-0-0	7016929-00	CONSOLE SIGNAL CABLE ASSY.	1	1
42	61	D-IA-7016516-0-0	7016516-00	REMOTE SENSE CABLE ASSY	1	1
43	62	D-IA-7016379-0-0	7016379-00	HARNESS, 2.5V/5.0V	1	1
44	63	D-IA-7016908-0-0	7016908-00	BLOWER CORD ASSY	1	0
45	64	D-IA-7016928-0-0	7016928-00	PATCH CABLE AIR FLOW	1	1
46	65	D-IA-7014320-0-0	7014320-0E	AIR FLOW SENSOR ASSY.	REF	REF
47	70		7016908-01	BLOWER CORD ASSY.	0	1
48	71		9006565-00	NUT,HEX EXT TOOTH LCKWSHR 10-32	19	19
49	72		9008185-00	NUT,HEX EXT TOOTH LCKWSHR 6-32	2	2
50	76		9006444-00	SCREW,SEMS HEX SLOT 10-	4	4
51	78		9007651-00	WASHER,LOCK EXTERNAL STEEL	4	4
52	80		9000049-45	SCREW,SEMS HEX SLOT 10-	13	13
53	81		9009718-04	GROMMET,STRIP STYRENE	3	3
54	83		3617674-01	LABEL,SERIAL & POWER W/UL & CSA	1	1
55	85		9008473-00	LABEL, PLAIN, PRESSURE SENSITIVE	1	1
56	86	D-IA-7018135-0-0	7018135-00	CABLE TROUGH TOP	1	1
57	87		9008841-01	STANDOFF,MALE/FEMALE HEX 10-32	3	3
58	88		9010156-00	SCREW,SEMS HEX 10-	2	2

D	I	G	I	T	A	L	TITLE	SECTION A OF A	SIZE	CODE	DOCUMENT NUMBER	REV
							CABINET ASSY VAX 11750		K	PL	7019603-0-DBP	A



THIS DRAWING AND SPECIFICATIONS, WHEN USED IN CONNECTION WITH THE DRAWINGS OF RELATED EQUIPMENT, CONSTITUTE AND FORM PART OF THE CONTRACT DOCUMENTS FOR THE WORK TO BE DONE UNDER THE CONTRACT. THE CONTRACTOR SHALL BE RESPONSIBLE FOR OBTAINING ALL NECESSARY PERMITS AND APPROVALS FROM THE AUTHORITY HAVING JURISDICTION OVER THE WORK.

REVISION HISTORY  
 DATE  
 BY  
 EIC 7019603-0-4

DESCRIPTION		DRAWING NO.	PART NO.
UNLESS OTHERWISE SPECIFIED DIMENSIONS ARE IN INCHES AND THE FOLLOWING TOLERANCES APPLY (PER DEFP114)			
DIMENSIONS IN INCHES		DIMENSIONS IN MILLIMETERS	
FINISH	APPROVALS	DATE	TITLE
QUANTITY & VARIATION	DESIGNED BY	DATE	INTERCONNECT DIAGRAM
THIRD ANGLE PROJECTION	CHECKED BY	DATE	DOCUMENT NUMBER
DO NOT SCALE DRAWING	DATE	DATE	EIC 7019603-0-4
REMOVE BURRS AND BREAK SHARP CORNERS	DATE	DATE	
MATERIAL	DATE	DATE	
FRONT	DATE	DATE	

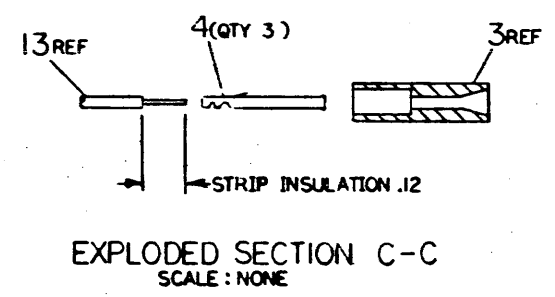
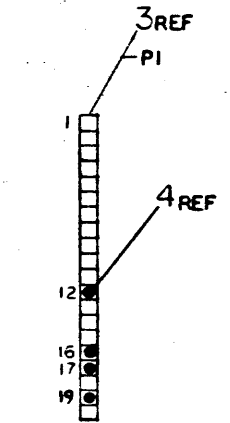
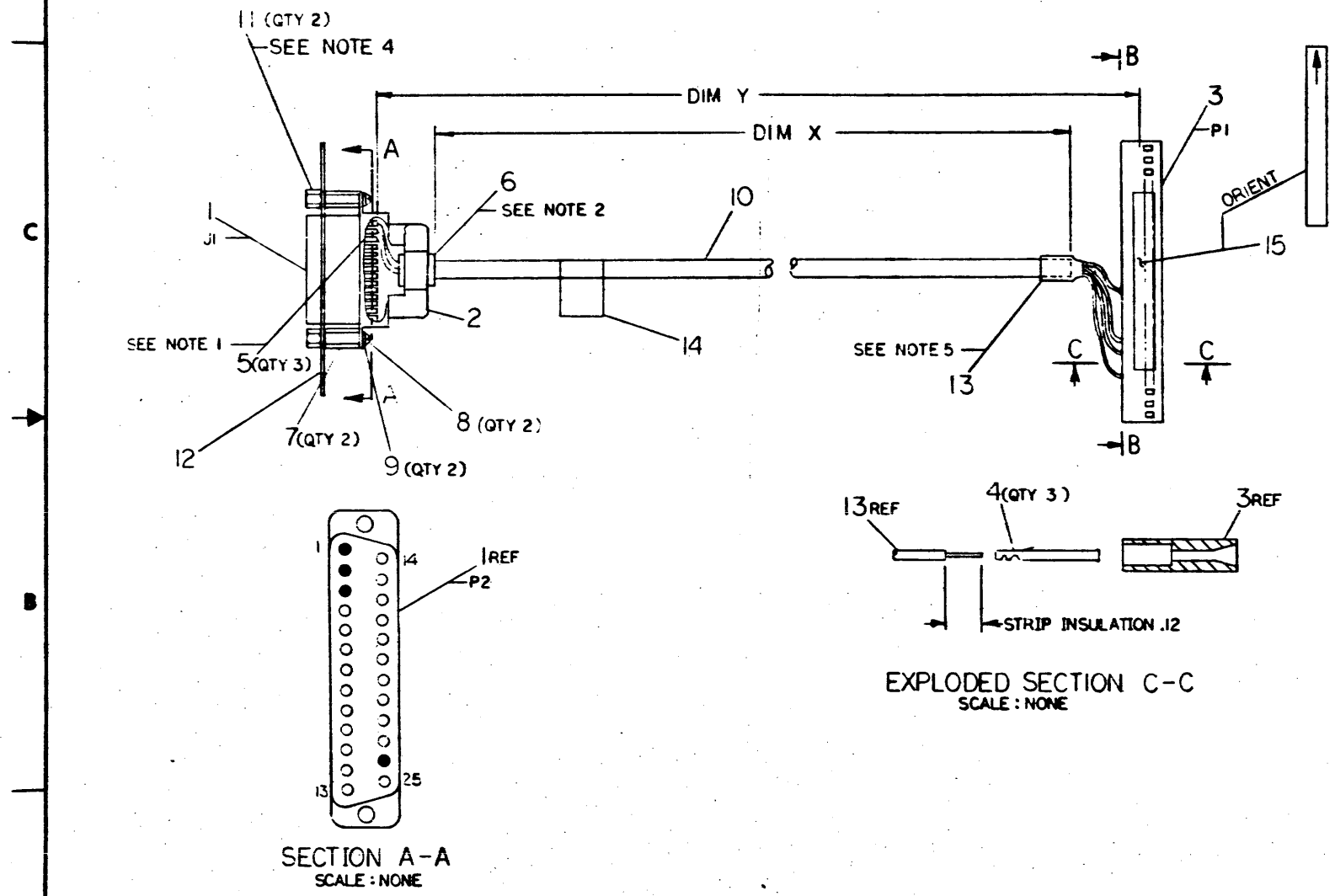


THIS DRAWING AND SPECIFICATIONS HEREAFTER ARE THE PROPERTY OF THE COMPANY AND SHALL NOT BE REPRODUCED OR COPIED IN WHOLE OR IN PART WITHOUT WRITTEN PERMISSION OF THE COMPANY ©1979

WIRE TABLE										
ITEM NO	DESCRIPTION	AWG	COLOR	FROM			TO			REFERENCE
				POINT	CONNECTION	WITH	POINT	CONNECTION	WITH	
IC	22	BLK	—	PI-12	4	—	J1-1	SOLDER	GROUND	
IC	22	GRN	—	PI-16	4	—	J1-3	SOLDER	SERIAL IN	
IC	22	RED	—	PI-17	4	—	J1-2	SOLDER	SERIAL OUT	
IC	22	WHT	—	PI-19	4	—	J1-24	SOLDER	F CON FST	

LEGEND		
NUMBER	VARIATION	
	DIM X	DIM Y PRECUT
7016922-00	4 FT 9 IN ± 1 IN	5 FT. REF

- NOTES:
- EACH SOLDERED CONNECTION ON P2 SHALL BE INSULATED WITH A .25 IN LG PIECE OF SHRINK TUBING (ITEM 5).
  - FOR STRAIN RELIEF WRAP 5 TURNS OF TAPE (ITEM 6) AROUND WIRE (ITEMS 11-13) AS SHOWN.
  - 
  - PLACE LOCKWASHER (SUPPLIED WITH ITEM 11) BETWEEN SPACER AND CONNECTOR FLANGE. DISCARD NUT (QTY 2) SUPPLIED WITH ITEM 11.
  - END OF JACKET SHALL BE PROTECTED WITH 1.0 IN OF SHRINK TUBE AS SHOWN.



CAUTION: SEE OFF SHEET PARTS LIST K-PL-7016922-0-DBP. (Z33598, PLS)

QTY	DESCRIPTION	DWG./PART NO.	ITEM NO.
1	LABEL, THIS END UP	A-PS-361773-0-0	15
1	LABEL, CABLE IDENT	A-FS-3616073-0-0	14
1.07	TUBING, SHRINK .250 DIA	3107253-09	13
1	PLATE, CONN MTG	8-MD-7414072-0-0	12
2	SCREW LOCK ASSY	9008251-00	11
4	CABLE, 4 COND UNSHIELDED	9107706-00	10
2	WASHER, LOCK	9006688-00	9
2	SCR, PHL, PAN HD #4-40 X .55	9008301-01	8
2	SPACER, HEX, 4-40 THD, .750 LG	9000033-09	7
5.0	TAPE, DOUBLE SIDED 50 WIDE	9008334-00	6
1.5	TUBING, HEAT SHRINK .12 DIA	9107255-09	5
4	CONTACT, CRIMP	1217100-03	4
1	CONN, 20 POS HSG	1217099-01	3
1	HOOD, CONN	1212516-00	2
1	CONN, PLUG FILTERED	1214031-03	1

REV	DATE	BY	CHKD	DESCRIPTION
1	11/750	...	...	...

<p>THIRD ANGLE PROJECTION</p> <p>REMOVE BURRS AND BREAK SHARP CORNERS</p> <p>DO NOT SCALE DWG</p> <p>NEXT HIGHER ASSY.</p> <p>MATERIAL: SEE PARTS LIST</p> <p>FINISH: ...</p>	<p>DRN: ...</p> <p>CHKD: ...</p> <p>ENGR: ...</p> <p>PROD: ...</p> <p>DATE: 11/750</p> <p>TITLE: FILTERED CABLE ASSY (CONSOLE)</p> <p>SIZE: D</p> <p>CODE: AD</p> <p>NUMBER: 7016922-C-0</p> <p>REV: B</p> <p>SHEET 1 OF 1</p> <p>DIST: TW</p>
---	--

AUTOMATED BY PRTLST.JP(44)

PARTS LIST

SHEET A1 OF A1

LINE	ITEM	DOCUMENT NUMBER	PART NUMBER	DESCRIPTION	QUANTITY PER VARIATION
1	1		1214081-03	CONN,D SUB 25PIN ASSY STRAIGHT S	1
2	2		1212516-00	CONN,D SUB 25POS CABLE CLAMP	1
3	3		1217099-01	CONN .100 20POS HOUSING	1
4	4		1217100-00	CONTACT SNAP-IN CRIMP	4
5	5	SEE NOTE 1	9107255-03	TUBING SHRINK 1/8 DIA.EXP UL	1
6	6	SEE NOTE 1	9007834-00	TAPE DOUBLE COATED, 1/2" WIDE,	1
7	7		9000033-09	SPACER HEX THD ALUM 4-40X 3	1
8	8		9008301-01	SCREW PAN PHIL 4-40X 1/4 SS	1
9	9		9006688-00	WASHER, LOCK, S.S. #4	1
10	10	SEE NOTE 1	9107706-00	CABLE, 4 COND. 22AWG	60
11	11		9008451-00	SCREW LOCK ASSY	1
12	12	B-MD-7414072-0-0	7414072-00	PLATE CONN MTG	1
13	13	SEE NOTE 1	9107253-09	TUBING SHRINK 1/4 DIA.EXP UL	1
14	14	A-PS-3616073-0-0	3616073-00	LABEL,CABLE IDENTIFICATION	1
15	15	A-PS-3617173-0-0	3617173-00	LABEL,"THIS END UP" FOR 11/750	1

16 NOTE: NOTE 1 ITEMS 5,6 AND 10 ARE IN INCHES.

REVISION HISTORY		BASIC PART NO: 7016922		DRN: H. DARAKJIAN	DATE: 7-DEC-81	D I G I T A L	
ENG:	ECO NUMBER	REV	SECTION A OF A	CHK'D: T. MCCULLOUGH	DATE: 7-DEC-81	TITLE PARTS LIST	
	INITIAL	B	SECTION. VARIATION INDEX	DES.ENG.: R. CIESLUK	DATE: 7-DEC-81	FILTERED CABLE ASSY (CONSOLE)	
			(A) 00	RESP.ENG.: R. CIESLUK	DATE: 7-DEC-81	DOCUMENT NUMBER	
			(B)	MFG.ENG.: BOB SMITH	DATE: 7-DEC-81	SIZE: K	CODE: PL
			(C)	ASSEMBLY NUMBER: D-AD-7016922-0-0	TOP DOCUMENT NUMBER: E-AD-7016707-0-0	NUMBER: 7016922-0-D9P	REV: B
			(D)			FILE NAME: 233598.PLS	EDIT: 6
			(E)				
			(F)				
<p>"THIS DRAWING AND SPECIFICATIONS HEREIN, ARE THE PROPERTY OF DIGITAL EQUIPMENT CORPORATION AND SHALL NOT BE REPRODUCED OR COPIED OR USED IN WHOLE OR IN PART AS THE BASIS FOR THE MANUFACTURE OR SALE OF ITEMS WITHOUT WRITTEN PERMISSION. COPYRIGHT (C) 1981. DIGITAL EQUIPMENT CORPORATION"</p>							

AUTOMATED BY PRTLST.4Q(50)

PARTS LIST

SHEET A1 OF A1

LINE	ITEM	DOCUMENT NUMBER	PART NUMBER	DESCRIPTION	QUANTITY PER VARIATION
					00
1	1	B-TC-H7104-C-1	MP01020-00	F.M.P.S. H7104-C	1
2	2	B-TC-H7104-D-1	MP01021-00	H7104D 50 PWR SU-PLY	1
3	3	B-TC-875-0-1	MP01022-00	875 CONTROLLER	1
4	4	B-TC-M8750-0-1	MP01398-00	F.M.P.S. MOS MEMORY ARRAY (M8750	1
5	5	B-TC-KA750-0-2	MP01024-00	F.M.P.S. KA750 FIELD MAINTAIN E	1
6	6		EKS1750-IN		1
7	7	B-TC-L0016-0-1	MP01404-00	F.M.P.S. (L0016)	1
8	8	B-TC-11750-F-1	MP01377-00	F.M.P.S. 11/750-F	1

REVISION HISTORY		BASIC PART NO: 7019606		DRN:	R.J. RILEY	DATE:	20-JUL-83	D I G I T A L			
ENG	ECO NUMBER	REV	SECTION A OF A	CHK'D:	R.J. RILEY	DATE:	20-JUL-83	TITLE	PARTS LIST		
	INITIAL	A	SECTION. VARIATION INDEX: [A] 00					SHIP LIST 11750-F			
			[B]	DES.ENG.:	S.FOOTE	DATE:	20-JUL-83	DOCUMENT NUMBER			
			[C]	RESP.ENG.:	S. FOOTE	DATE:	20-JUL-83	SIZE:CODE:	NUMBER	REV	
			[D]	MFG.ENG.:	R. SMITH	DATE:	20-JUL-83	K	PL	7019606-0-DBP	A
			[E]	ASSEMBLY NUMBER:		TOP DOCUMENT NUMBER:		FILE NAME:	EDIT #		
			[F]					Z5496A.PLS	8		

"THIS DRAWING AND SPECIFICATIONS HEREIN, ARE THE PROPERTY OF DIGITAL EQUIPMENT CORPORATION AND SHALL NOT BE REPRODUCED OR COPIED OR USED IN WHOLE OR IN PART AS THE BASIS FOR THE MANUFACTURE OR SALE OF ITEMS WITHOUT WRITTEN PERMISSION. COPYRIGHT (C) 1983. DIGITAL EQUIPMENT CORPORATION "

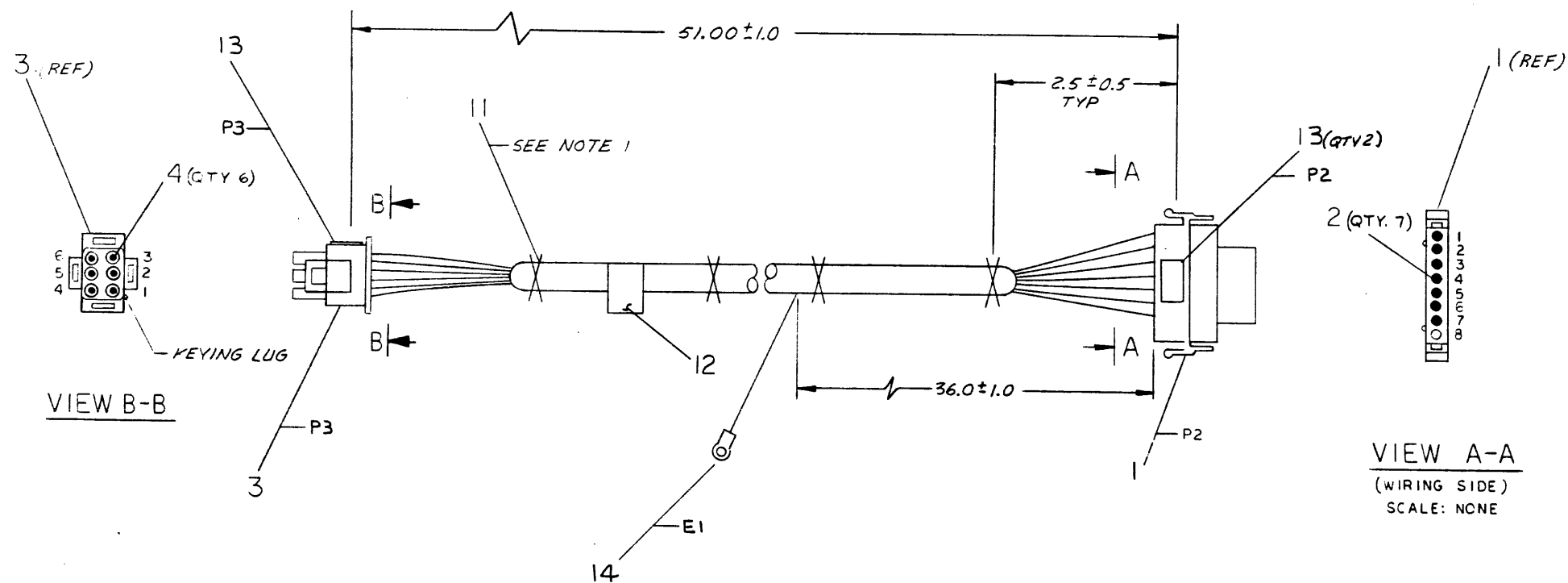
THIS DRAWING AND SPECIFICATIONS, HEREIN, ARE THE PROPERTY OF DIGITAL EQUIPMENT CORPORATION AND SHALL NOT BE REPRODUCED OR COPIED OR USED IN WHOLE OR IN PART AS THE BASIS FOR THE MANUFACTURE OR SALE OF ITEMS WITHOUT WRITTEN PERMISSION.  
COPYRIGHT © 1979, DIGITAL EQUIPMENT CORPORATION

WIRE TABLE

ITEM NO.	AWG	COLOR	FROM		TO		REFERENCE
			CONN	WITH	CONN	WITH	
5	18	BRN	P3-1	ITEM 4	P2-5	ITEM 2	POWER OK
6	18	RED	P3-2	ITEM 4	P2-6	ITEM 2	CONSOLE LIGHT
7	18	ORN	P3-3	ITEM 4	P2-4	ITEM 2	PWR SUPPLY
8	18	YEL	P3-4	ITEM 4	P2-3	ITEM 2	REMOTE DISABLE
9	18	GRN	P3-5	ITEM 4	P2-2	ITEM 2	BBU
10	18	BLU	P3-6	ITEM 4	P2-1	ITEM 2	REMOTE DISABLE
14	14	BLK	E1	ITEM 15	P2-7	ITEM 2	GROUND

0-0-096910Z 2

NOTES:  
1. ATTACH CABLE TIE APPROXIMATELY EVERY 4 INCHES.



VIEW B-B

VIEW A-A  
(WIRING SIDE)  
SCALE: NONE

ITEM NO.	DESCRIPTION	DWG. PART NO.	ITEM NO.
1	TERMINAL, RING	9007928-00	15
46	WIRE, 14 AWG STRD BLK	9107787-00	14
2	LABEL, PWR CON	A-DC-7409872-2-0	13
1	LABEL, CABLE IDENT	A-PS-3616073-0-0	12
A/R	TIE, CABLE	3007031-00	11
52	WIRE, 18 AWG STRD BLU	9107360-66	10
52	WIRE, 18 AWG STRD GRN	9107360-55	9
52	WIRE, 18 AWG STRD YEL	9107360-44	8
52	WIRE, 18 AWG STRD ORN	9107360-33	7
52	WIRE, 18 AWG STRD RED	9107360-22	6
52	WIRE, 18 AWG STRD BRN	9107360-11	5
6	PIN, MATE-N-LOCK, 14-20 AWG	1212169-00	4
1	HOUSING, MATE-N-LOCK, 6 PIN	1212167-06	3
7	PIN, MATE-N-LOCK, 20-14 AWG	1209378-00	2
1	HOUSING, MATE-N-LOCK, 8 PIN	1209340-01	1

ANGLES 90° 30'	CLASS OF ACCURACY (CHECK ONE)	NOMINAL DIMENSION RANGE INCHES				
		OVER 0 TO 1.2	OVER 1.2 TO 4.0	OVER 4.0 TO 12.0	OVER 12.0 TO 40.0	OVER 40.0 TO ∞
SURFACE QUALITY IN	MEDIUM	±.004	±.008	±.012	±.016	±.024
	PREFERRED	±.012	±.016	±.025	±.031	±.041

REV.	CHANGE NO.	REV.
1	1	A
2	2	B

THIRD ANGLE PROJECTION

REMOVE BURRS AND BREAK SHARP CORNERS

DO NOT SCALE DWG

MATERIAL: SEE PARTS LIST

FINISH: +

DRN: [Signature] 26 JUN 79

CHK'D: [Signature] 12 JUN 79

ENG: [Signature] 12 JUN 79

PROJ. ENG. [Signature] 12 JUN 79

PROD. [Signature] 12 JUN 79

FIRST USED ON: 11/750

TITLE: CONSOLE POWER CABLE ASSY

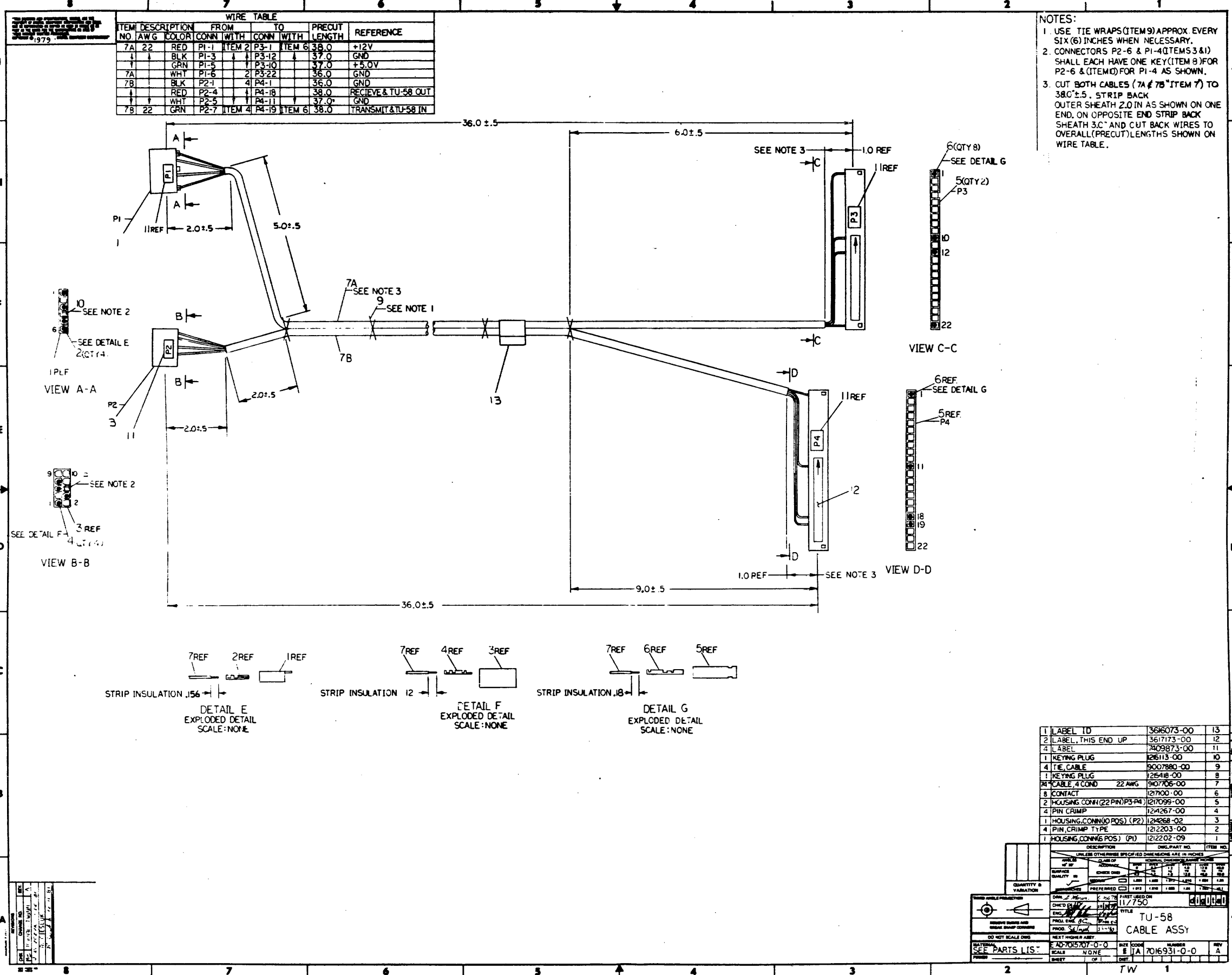
SIZE: D

NUMBER: IA 7016930-0-0

REV. B

SHEET 1 OF 1

DIST. TW 1



WIRE TABLE								
ITEM NO.	DESCRIPTION	FROM	TO	PRECUT LENGTH	REFERENCE			
7A	22	RED	P1-1	ITEM 2	P3-1	ITEM 6	38.0	+12V
		BLK	P1-3		P3-12		37.0	GND
		GRN	P1-5		P3-10		37.0	+5.0V
7A		WHT	P1-6	2	P3-22		36.0	GND
7B		BLK	P2-1	4	P4-1		36.0	GND
		RED	P2-4		P4-18		38.0	RECEIVE & TU-58 OUT
		WHT	P2-5		P4-11		37.0	GND
7B	22	GRN	P2-7	ITEM 4	P4-19	ITEM 6	38.0	TRANSMIT & TU-58 IN

- NOTES:
- USE TIE WRAPS (ITEM 9) APPROX EVERY SIX (6) INCHES WHEN NECESSARY.
  - CONNECTORS P2-6 & P1-4 (ITEMS 3 & 1) SHALL EACH HAVE ONE KEY (ITEM 8) FOR P2-6 & (ITEM 10) FOR P1-4 AS SHOWN.
  - CUT BOTH CABLES (7A & 7B ITEM 7) TO 38.0 ± 0.5. STRIP BACK OUTER SHEATH 2.0 IN AS SHOWN ON ONE END, ON OPPOSITE END STRIP BACK SHEATH 3.0" AND CUT BACK WIRES TO OVERALL (PRECUT) LENGTHS SHOWN ON WIRE TABLE.

ITEM NO.	DESCRIPTION	QTY	REF	ITEM NO.	DESCRIPTION	QTY	REF
1	LABEL ID	3616073-00	13	1	HOUSING CONN POS (P1)	1212202-09	1
2	LABEL, THIS END UP	3617173-00	12	2	HOUSING CONN (22 PIN) P3-P4	1217099-00	5
4	LABEL	7409873-00	11	4	PIN CRIMP	124267-00	4
1	KEYING PLUG	126113-00	10	1	HOUSING CONN POS (P2)	124268-02	3
4	TIE CABLE	9007880-00	9	4	PIN CRIMP TYPE	1212203-00	2
1	KEYING PLUG	126113-00	8	1	HOUSING CONN POS (P1)	1212202-09	1
4	TIE CABLE	9007880-00	7				
1	KEYING PLUG	126113-00	6				
4	TIE CABLE	9007880-00	5				
1	KEYING PLUG	126113-00	4				
4	TIE CABLE	9007880-00	3				
1	KEYING PLUG	126113-00	2				
4	TIE CABLE	9007880-00	1				

UNLESS OTHERWISE SPECIFIED DIMENSIONS ARE IN INCHES

QUANTITY & VARIATION

DATE: 11/750

TITLE: TU-58 CABLE ASSY

SCALE: NONE

SEE PARTS LIST

REV A

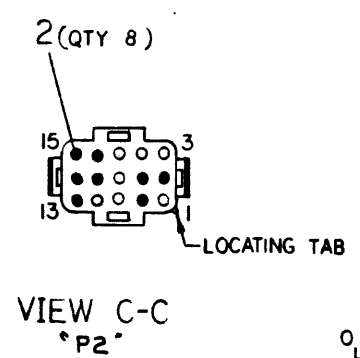
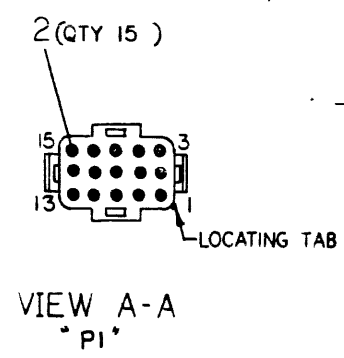
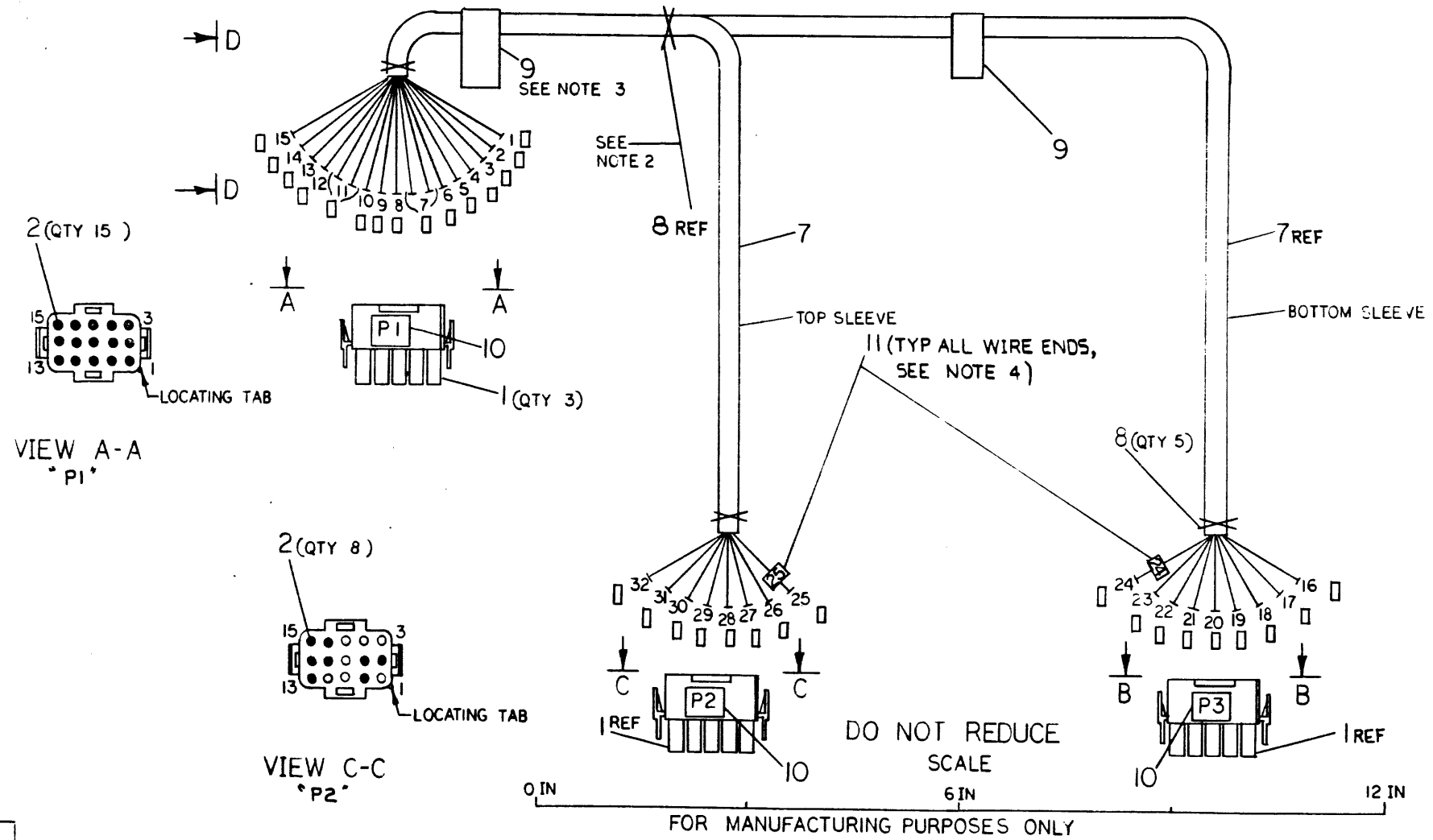
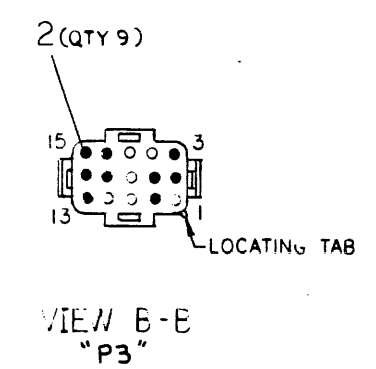
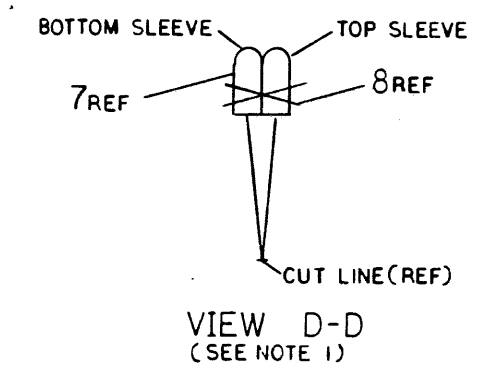
REV	DATE	DESCRIPTION
A		

**WIRING TABLE**

ITEM NO	DESCRIPTION			FROM			TO			PRECUT LENGTH
	AWG	COLOR	POINT	CONNECTION	TERM	POINT	CONNECTION	TERM		
3	14	BRN	1	PI-1	2	16	P3-2	2	22.25 ± 0.01 IN	
			2	PI-2	17	P3-3		22.25		
			3	PI-3	18	P3-4		22.25		
			4	PI-4	25	P2-2		15.25		
5	14	BRN	5	PI-5		26	P2-4		15.25	
6	14	BLU	6	PI-6		22	P3-13		22.25	
6	18		7	PI-7		31	F2-14		15.25	
						23	P3-14		22.25	
5	14		8	PI-8		24	P3-15		22.25	
5	14		9	PI-9		30	P2-13		15.25	
5	14		10	PI-10		32	P2-15		15.25	
6	18		11	PI-11		28	P2-11		15.25	
						20	P3-11		22.25	
4	14	WHT	12	PI-12		21	P3-12		22.25	
4	14	WHT	13	PI-13		29	P2-12		15.25	
3	14	BRN	14	PI-14		19	P3-5		22.25	
3	14	BRN	15	PI-15	2	27	P2-5	2	15.25 ± 0.01 IN	

**NOTES:**

1. ALL 22.25 INCH WIRES ARE TO BE ROUTED THROUGH TUBING (BOTTOM SLEEVE, ITEM 7) PRIOR TO ASSY TO CONN P1. REMAINING WIRES ARE TO BE ROUTED LIKEWISE TO CONN P2 THROUGH TOP SLEEVE.
2. CABLE TIES BUNDLE TOP & BOTTOM SLEEVE.
3. MARK ITEM 9 "CONTROLLER PLUG" AND LOCATE APPROX 2 INCHES FROM P1.
4. APPLY WIRE MARKERS TO EACH WIRE AS NUMBERED.



CAUTION: OFF SHEET PARTS LIST  
SEE B-PL-7016153-0-0

DESCRIPTION	DRAWING NO.	PART NO.	ITEM NO.					
UNLESS OTHERWISE SPECIFIED DIMENSIONS ARE IN INCHES AND THE FOLLOWING TOLERANCES APPLY (PER DEC STD 114)								
INCHES TOLERANCES	ANGLES ± 0° 30'	APPLICABLE DIMENSION RANGE	DIMENSION RANGE IN INCHES					
			OVER 0 TO 0.2	OVER 0.2 TO 1.2	OVER 1.2 TO 4.0	OVER 4.0 TO 12.0	OVER 12.0 TO 40.0	OVER 40.0 TO 80.0
X = ± .1	SURFACE QUALITY	(CHECK ONE)	± .02	± .03	± .05	± .10		
XX = ± .02			± .04	± .06	± .12	± .24		
XXX = ± .005								
QUANTITY & VARIATION	THIRD ANGLE PROJECTION	DATE	TITLE	digital				
	DO NOT SCALE DRAWING	12/FEB/80	AC HARNESS					
	REMOVE BURRS AND BREAK SHARP CORNERS	12/FEB/80						
	MATERIAL	12/FEB/80						
SEE PARTS LIST		12/FEB/80						
FINISH		12/FEB/80						
		E-UA-7016707-0-C						
				SCALE	1/1	SHEET	1 OF 1	

REV	DATE	DESCRIPTION
1		ORIGINAL LOG REDRAWN BY CHS 12/78

DRAWING NO. DIA 7016153-0-0

DIGITAL EQUIPMENT CORPORATION PARTS LIST				QUANTITY / VARIATION										NOTES:					
MADE BY B. Blodgett DATE 12/FEB/80		CHECKED J SULLIVAN DATE 12/FEB/80		SECTION + +															
ENG R MARTEL DATE 12/FEB/80		PROD C BESSETT DATE 12/FEB/80		ISSUED SECTION + +															
ITEM NO.	DRAWING NO.	PART NO.	DESCRIPTION	7016158-00	SYMBOL													REF DESIGNATION	
1	A-DC-7409872-0-0	1212167-05	CONN. UNIV HOUS 15 PIN	3															
2		1212170-00	SOCKET, UNIV 14-20 AWG	32	□														
3		9107370-11	WIRE, 14 AWG STRD (BRN)	A/R															
4		9107370-99	WIRE, 14 AWG STRD (WHT)	A/R															
5		9107370-66	WIRE, 14 AWG STRD (BLU)	A/R															
6		9107360-66	WIRE, 18AWG STRD (BLU)	A/R															
7		9107246-00	TUBING, .50" EXTRUDED (BLK)	A/R															
8		9007031-00	CABLE TIE	5	X														
9		3616073-00	LABEL, CABLE IDENT.	2															
10		7409872-02	POWER HARNESS, DECAL	1															
11		9008356-01	MARKERS, WIRE #1-#48	1															

E.C.D. NO.

"THIS DRAWING AND SPECIFICATIONS, HEREIN, ARE THE PROPERTY OF DIGITAL EQUIPMENT CORPORATION AND SHALL NOT BE REPRODUCED OR COPIED OR USED IN WHOLE OR IN PART AS THE BASIS FOR THE MANUFACTURE OR SALE OF ITEMS WITHOUT WRITTEN PERMISSION. COPYRIGHT © DIGITAL EQUIPMENT CORPORATION"

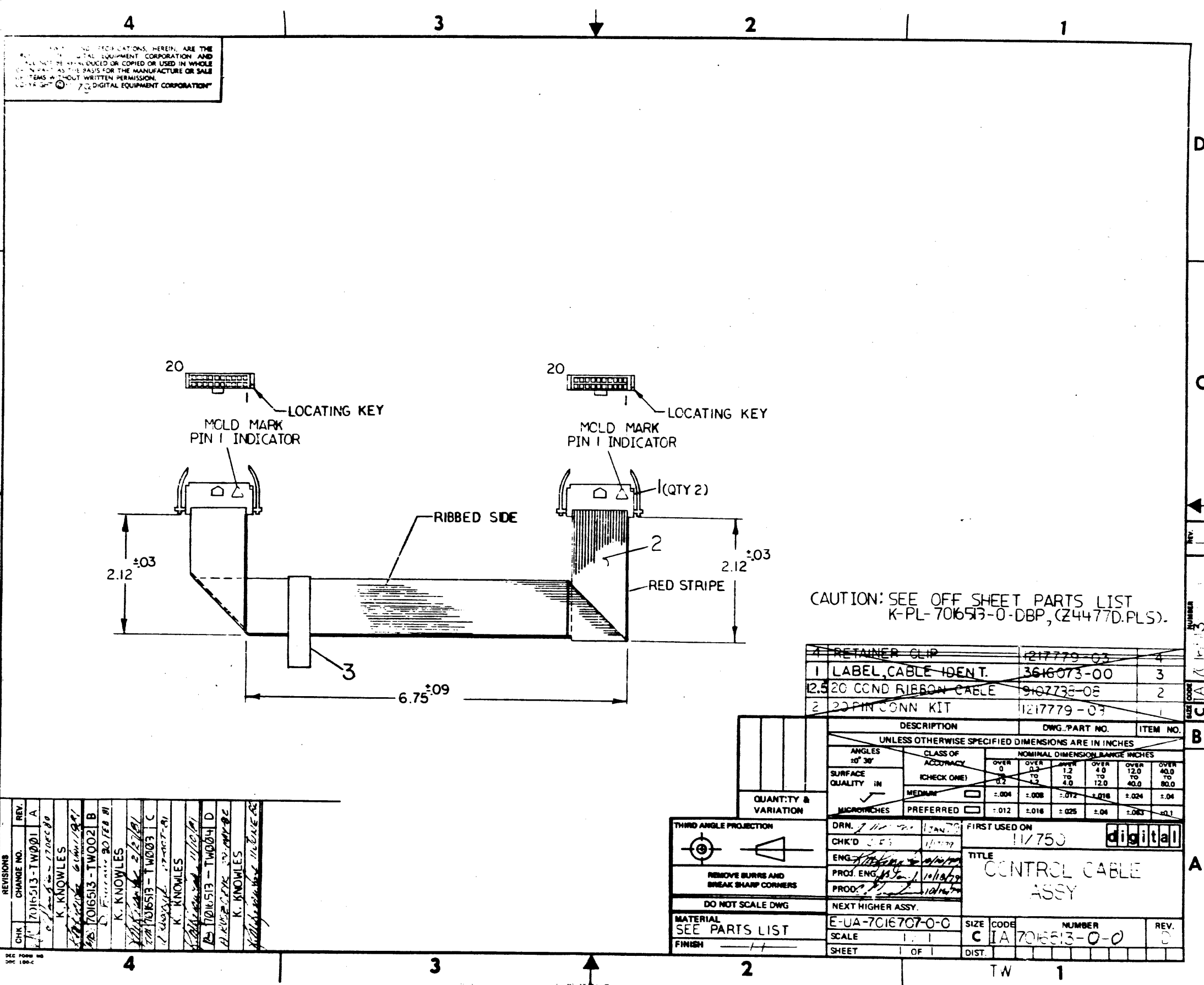
TITLE  
AC HARNESS

ASSY NO.  
D-IA-7016153-0-0  
SHEET 1 OF 1

SIZE B  
CODE PL  
NUMBER 7016153-0-0  
INSERTION PARTS LIST DATA BASE REV

REV.  
\*

TW



ALL DIMENSIONS AND SPECIFICATIONS HEREIN ARE THE PROPERTY OF DIGITAL EQUIPMENT CORPORATION AND SHALL NOT BE REPRODUCED OR COPIED OR USED IN WHOLE OR IN PART AS THE BASIS FOR THE MANUFACTURE OR SALE OF ANY ITEMS WITHOUT WRITTEN PERMISSION.  
 © 1970 DIGITAL EQUIPMENT CORPORATION

CAUTION: SEE OFF SHEET PARTS LIST  
 K-PL-7016513-0-DBP, (Z4477D.PLS).

QTY	DESCRIPTION	DWG. PART NO.	ITEM NO.
4	RETAINER CLIP	1217779-03	4
1	LABEL, CABLE IDENT.	3616073-00	3
12.5	20 COND RIBBON CABLE	9107738-08	2
2	20 PIN CONN KIT	1217779-03	1

REV.	CHANGE NO.	DESCRIPTION	BY	DATE
A	17016513-TW001		K. KNOWLES	11/18/70
B	17016513-TW002		K. KNOWLES	11/18/70
C	17016513-TW003		K. KNOWLES	11/18/70
D	17016513-TW004		K. KNOWLES	11/18/70

QUANTITY & VARIATION		DESCRIPTION		DWG. PART NO.	ITEM NO.
UNLESS OTHERWISE SPECIFIED DIMENSIONS ARE IN INCHES					
ANGLES $\pm 30'$	CLASS OF ACCURACY	NOMINAL DIMENSION RANGE INCHES			
SURFACE QUALITY IN MICROINCHES	(CHECK ONE)	OVER 0 TO 0.2	OVER 0.2 TO 1.2	OVER 1.2 TO 4.0	OVER 4.0 TO 12.0
		OVER 12.0 TO 40.0	OVER 40.0 TO 80.0	OVER 80.0 TO 160.0	OVER 160.0 TO 320.0
<input checked="" type="checkbox"/>	MEDIUM	<input type="checkbox"/>	<input type="checkbox"/>	<input type="checkbox"/>	<input type="checkbox"/>
<input type="checkbox"/>	PREFERRED	<input type="checkbox"/>	<input type="checkbox"/>	<input type="checkbox"/>	<input type="checkbox"/>
THIRD ANGLE PROJECTION		DRN. <i>[Signature]</i>	DATE <i>[Date]</i>	FIRST USED ON	
REMOVE BURRS AND BREAK SHARP CORNERS		CHK'D <i>[Signature]</i>	DATE <i>[Date]</i>	11/750 <b>digital</b>	
DO NOT SCALE DWG		PROF. ENG. <i>[Signature]</i>	DATE <i>[Date]</i>	TITLE	
MATERIAL SEE PARTS LIST		PROOF <i>[Signature]</i>	DATE <i>[Date]</i>	CONTROL CABLE ASSY	
FINISH <i>[Symbol]</i>		NEXT HIGHER ASSY.		SIZE	CODE
				E-UA-7016707-0-0	C IA
				SCALE	NUMBER
				1:1	7016513-0-0
				SHEET	REV.
				OF 1	0

DEC FORM 100 100-2



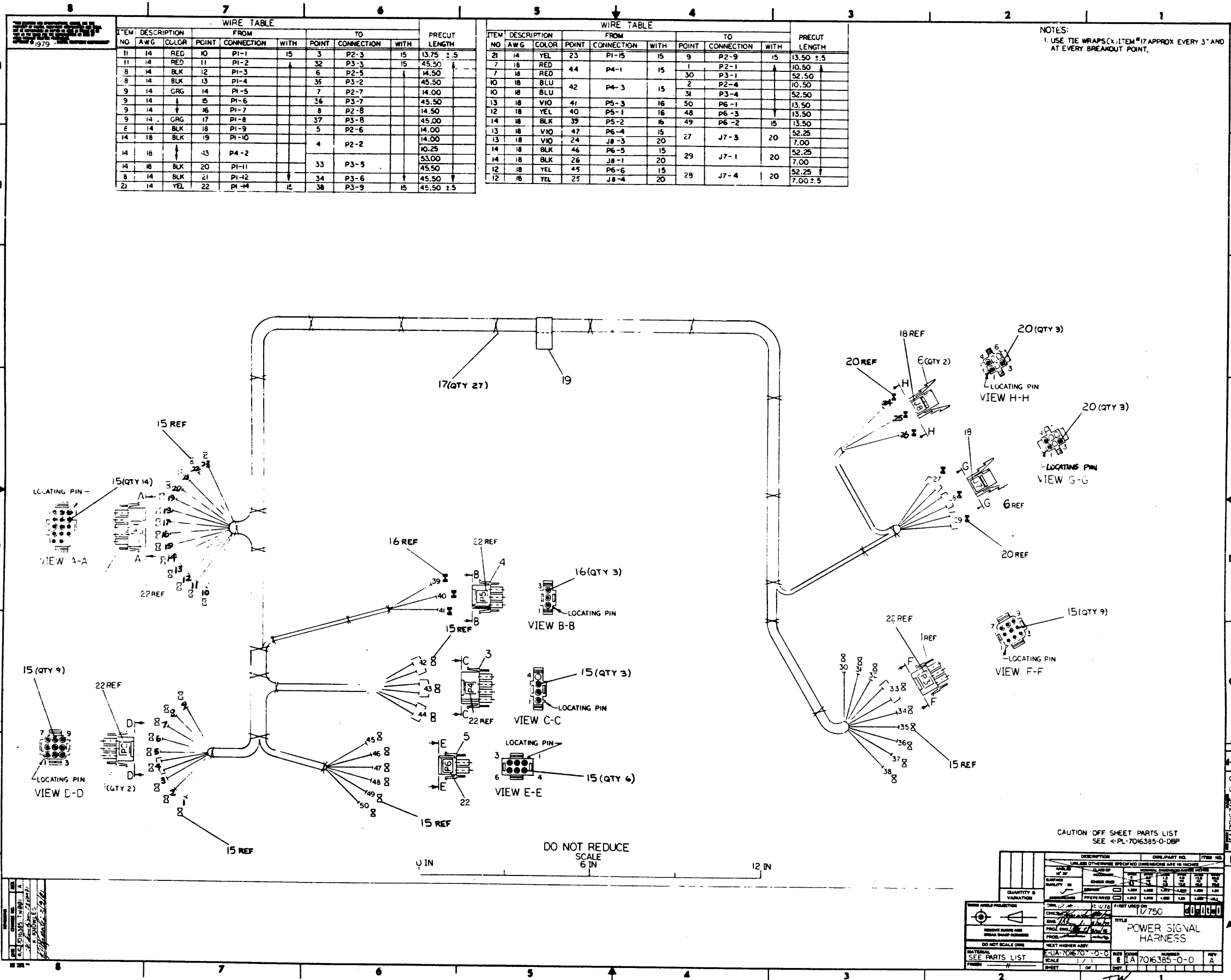
AUTOMATED BY PRTLST.3P(44)

PARTS LIST

SHEET A1 OF A1

LINE	ITEM	DOCUMENT NUMBER	PART NUMBER	DESCRIPTION	QUANTITY PER VARIATION
1	1		1217779-03	CONN, IDC RETAINER CLIP	2
4	4	BLANK	9107738-08	CABLE, RIBBON BOND 20COND 28AWG	A/R
			3616073-00	LABEL, ID W/COPY VERTICAL	1
				*** THIS ITEM IS NOT USED ***	-

REVISION HISTORY		BASIC PART NO: 7016513		DRN: A.RUSZCZYK	DATE: 29-MAY-82	D I G I T A L	
ENG	ECO NUMBER	REV	SECTION A OF A	CHK'D: T.MCCULLOUGH	DATE: 29-MAY-82	TITLE PARTS LIST	
	INITIAL	D	SECTION. VARIATION INDEX	DES.ENG.: K.KNOWLES	DATE: 29-MAY-82	CONTROL CABLE ASSY	
			(A) 00	RESP.ENG.: K.KNOWLES	DATE: 29-MAY-82	DOCUMENT NUMBER	
			(B)	MFG.ENG.: J.WOERNER	DATE: 29-MAY-82	SIZE: CODE: K PL	7016513-0-DBP
			(C)	ASSEMBLY NUMBER:	TOP DOCUMENT NUMBER:	FILE NAME:	EDIT #
			(D)	C-IA-7016513-0-0	E-UA-7016707-0-0	Z4477D.PLS	2
			(E)	"THIS DRAWING AND SPECIFICATIONS HEREIN, ARE THE PROPERTY OF DIGITAL EQUIPMENT CORPORATION AND SHALL NOT BE REPRODUCED OR COPIED OR USED IN WHOLE OR IN PART AS THE BASIS FOR THE MANUFACTURE OR SALE OF ITEMS WITHOUT WRITTEN PERMISSION. COPYRIGHT (C) 1982. DIGITAL EQUIPMENT CORPORATION"			
			(F)				



WIRE TABLE

ITEM NO	AWG	COLOR	POINT	CONNECTION	WITH	POINT	CONNECTION	WITH	PRECUT LENGTH
11	14	RED	10	P1-1		15	P2-3	15	13.75 ±.5
11	14	RED	11	P1-2		32	P3-3	15	45.50
8	14	BLK	12	P1-3		6	P2-5		14.50
8	14	BLK	13	P1-4		35	P3-2		45.50
9	14	CRG	14	P1-5		7	P2-7		14.00
9	14		15	P1-6		36	P3-7		45.50
9	14		16	P1-7		8	P2-8		14.50
9	14	CRG	17	P1-8		37	P3-8		45.50
6	14	BLK	18	P1-9		5	P2-6		14.00
14	18	BLK	19	P1-10		4	P2-2		14.00
14	18		23	P4-2					10.25
14	18	BLK	20	P1-11		33	P3-5		53.00
8	14	BLK	21	P1-12		34	P3-6		45.50
21	14	YEL	22	P1-14		38	P3-9	15	45.50 ±.5

WIRE TABLE

ITEM NO	AWG	COLOR	POINT	CONNECTION	WITH	POINT	CONNECTION	WITH	PRECUT LENGTH
21	14	YEL	23	P1-15		15	P2-9	15	13.50 ±.5
7	18	RED	44	P4-1		15	P2-1		10.50
7	18	RED				30	P3-1		52.50
10	18	BLU	42	P4-3		15	P2-4		10.50
10	18	BLU				31	P3-4		52.50
13	18	VIO	41	P5-3		16	P6-1		13.50
12	18	YEL	40	P5-1		16	P6-3		13.50
14	18	BLK	39	P5-2		16	P6-2	15	13.50
13	18	VIO	47	P6-4		15	J7-3	20	52.25
13	18	VIO	24	J8-3		20	J7-3	20	7.00
14	18	BLK	46	P6-5		15	J7-1	20	52.25
14	18	BLK	26	J8-1		20	J7-1	20	7.00
12	18	YEL	45	P6-6		15	J7-4	20	52.25
12	18	YEL	25	J8-4		20	J7-4	20	7.00 ±.5

NOTES:  
1. USE TIE WRAPS (X) ITEM #17 APPROX EVERY 3" AND AT EVERY BREAKOUT POINT.

CAUTION OFF SHEET PARTS LIST  
SEE X-PL-706385-0-DBP

DO NOT REDUCE  
SCALE  
6 IN 12 IN

QUANTITY & VARIATION	DESCRIPTION	QTY	UNIT
1	POWER SIGNAL HARNESS	1	EA
<p>DATE: 11/750          TITLE: POWER SIGNAL HARNESS          DRAWN: [Signature]          CHECKED: [Signature]          DESIGNED: [Signature]          MATERIAL: MIL-STD-883C          SCALE: 1/1          SHEET: 1 OF 1</p>			

LINE ITEM	DOCUMENT NUMBER	PART NUMBER	DESCRIPTION	QUANTITY PER VARIATION
				00
1		1212167-04	MATE-N-LOK 9POS UNIV HSG,SKT	2
2		1212167-05	MATE-N-LOK 15POS UNIV HSG,SKT	1
3		1212167-01	MATE-N-LOK 4POS UNIV HSG,SKT	1
4		1212167-00	MATE-N-LOK 3POS UNIV HSG,SKT	1
5		1212167-06	MATE-N-LOK 6POS UNIV HSG,SKT	1
6		1209350-06	MATE-N-LOK 6POS COMM HSG,SKT	2
7		9107360-22	WIRE,STRND,18AWG,IPVC UL1429	A/R
8		9107370-00	WIRE,STRND,14AWG,IPVC UL1534	A/R
9		9107370-33	WIRE,STRND,14AWG,IPVC UL1534	A/R
10		9107360-66	WIRE,STRND,18AWG,IPVC UL1429	A/R
11		9107370-22	WIRE,STRND,14AWG,IPVC UL1534	A/R
12		9107360-44	WIRE,STRND,18AWG,IPVC UL1429	A/R
13		9107360-77	WIRE,STRND,18AWG,IPVC UL1429	A/R
14		9107360-00	WIRE,STRND,18AWG,IPVC UL1429	A/R
15		1212170-00	MATE-N-LOK SKT UNIV 20-14AWG REE	41
16		1213807-01	MATE-N-LOK PIN UNIV 20-14AWG STR	4
17		9007031-00	TIE,CABLE BUNDL.DIA 0- 3/4"=101	27
18	A-DC-7409873-0-0	7409873-02	DECAL FWR CONN	1
19		3616073-00	LABEL,CABLE IDENTIFICATION	1
20		1209379-00	MATE-N-LOK SKT COMM 20-14AWG STR	6
21		9107370-44	WIRE,STRND,14AWG,IPVC UL1534	A/R
22	A-DC-7409872-0-0	7409872-02	DECAL FWR HARNESS [BLK/CLR]	1

REVISION HISTORY		BASIC PART NO: 7016385		DRN:	T. ROCHA	DATE:	DIGITAL			
ENG	ECO NUMBER	REV	SECTION A OF A	CHK'D:	J. SULLIVAN	DATE:	PARTS LIST			
---	INITIAL	*	SECTION. VARIATION INDEX	DES.ENG.:	K. KNOWLES	DATE:	POWER SIGNAL HARNESS			
---	INITIAL	*	[A] 00	RESP.ENG.:	K. KNOWLES	DATE:	DOCUMENT NUMBER			
KK	7016385-TW001	A	[B]	MFG.ENG.:	J WOERNER	DATE:	SIZE	CODE	NUMBER	REV
			[C]	ASSEMBLY NUMBER:	E-IA-7016385-0-0	DATE:	K	PL	7016385-0-DBP	A
			[D]	TOP DOCUMENT NUMBER:	E-AD-7016707-0-0	DATE:			FILE NAME:	EDIT #
			[E]			DATE:			Z0689.PLS	7
			[F]	*THIS DRAWING AND SPECIFICATIONS HEREIN, ARE THE PROPERTY OF DIGITAL EQUIPMENT CORPORATION AND SHALL NOT BE REPRODUCED OR COPIED OR USED IN WHOLE OR IN PART AS THE BASIS FOR THE MANUFACTURE OR SALE OF ITEMS WITHOUT WRITTEN PERMISSION. COPYRIGHT (C) 1981. DIGITAL EQUIPMENT CORPORATION *						

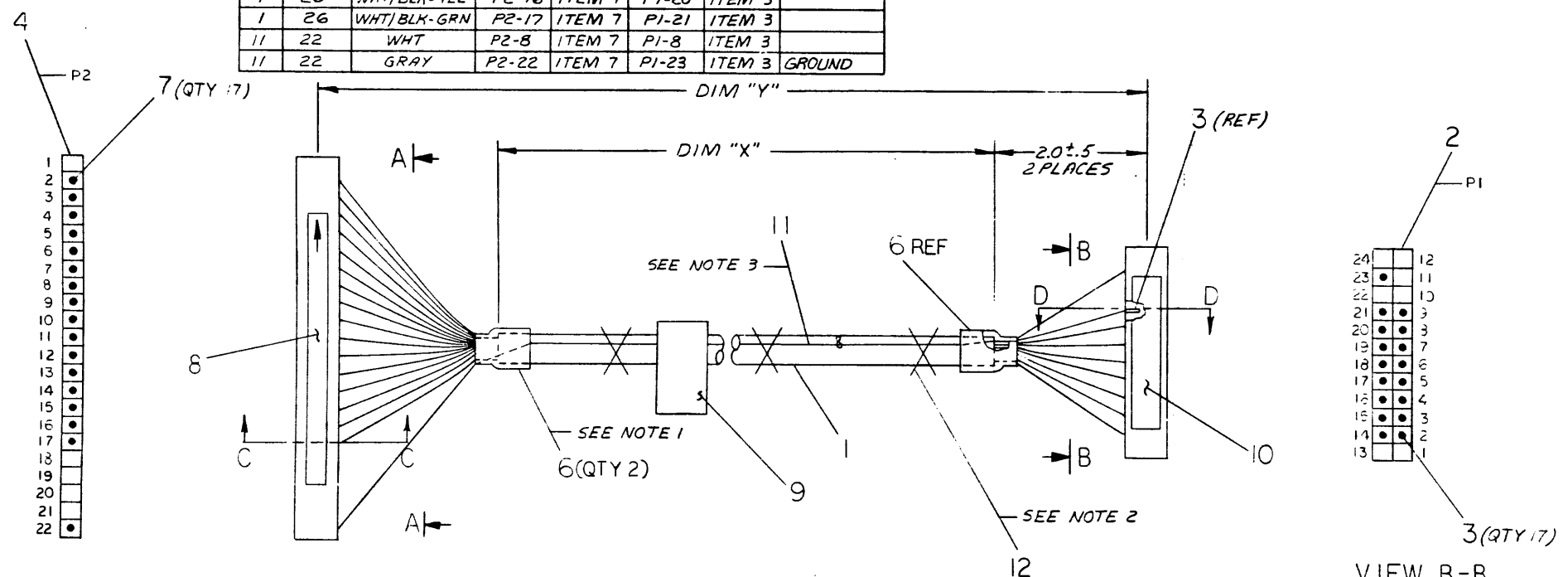
TW

THIS DRAWING AND SPECIFICATIONS HEREAFTER ARE THE PROPERTY OF DIGITAL EQUIPMENT CORPORATION AND SHALL NOT BE REPRODUCED OR COPIED OR USED IN WHOLE OR IN PART IN THE ABSENCE OF THE MANUFACTURE OR SALE OF ITEMS WITHOUT WRITTEN PERMISSION.  
COPYRIGHT © 1979, DIGITAL EQUIPMENT CORPORATION

ITEM NO.	DESCRIPTION		FROM		TO		REFERENCE
	AWG	COLOR	CONN	WITH	CONN	WITH	
1	26	WHT/BLK	P2-2	ITEM 7	PI-2	ITEM 3	
1	26	WHT/BRN	P2-3	ITEM 7	PI-3	ITEM 3	
1	26	WHT/RED	P2-4	ITEM 7	PI-4	ITEM 3	
1	26	WHT/ORN	P2-5	ITEM 7	PI-5	ITEM 3	
1	26	WHT/YEL	P2-6	ITEM 7	PI-6	ITEM 3	
1	26	WHT/GRN	P2-7	ITEM 7	PI-7	ITEM 3	
<del>1</del>	<del>26</del>	<del>WHT/BLU</del>	<del>P2-8</del>	<del>ITEM 7</del>	<del>PI-8</del>	<del>ITEM 3</del>	
1	26	WHT/VIO	P2-9	ITEM 7	PI-9	ITEM 3	
1	22	RED	P2-10	ITEM 7	PI-14	ITEM 3	+5.0V
1	26	WHT/GRY	P2-11	ITEM 7	PI-15	ITEM 3	
1	22	BLK	P2-12	ITEM 7	PI-16	ITEM 3	GROUND
1	26	WHT/BLK-BRN	P2-13	ITEM 7	PI-17	ITEM 3	
1	26	WHT/BLK-RED	P2-14	ITEM 7	PI-18	ITEM 3	
1	26	WHT/BLK-ORN	P2-15	ITEM 7	PI-19	ITEM 3	
1	26	WHT/BLK-YEL	P2-16	ITEM 7	PI-20	ITEM 3	
1	26	WHT/BLK-GRN	P2-17	ITEM 7	PI-21	ITEM 3	
11	22	WHT	P2-8	ITEM 7	PI-8	ITEM 3	
11	22	GRAY	P2-22	ITEM 7	PI-23	ITEM 3	GROUND

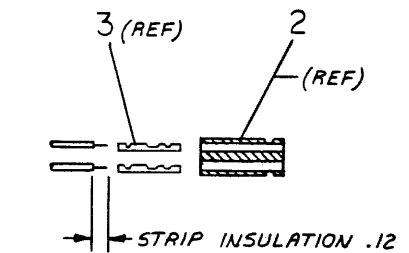
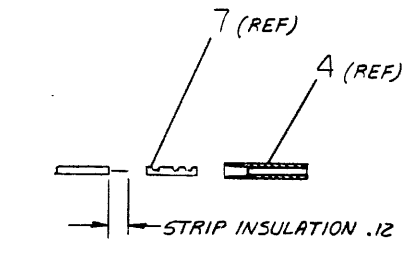
LEGEND		
NUMBER	VARIATION	
	DIM "X"	DIM "Y" PRECUT
7016929-00	32.0 ± 1.0 IN.	36.0 IN.

- NOTES:
- BOTH ENDS OF CABLE JACKET SHALL BE PROTECTED WITH 1.0 IN. OF SHRINK TUBE (ITEM 6) AS SHOWN.
  - ATTACH CABLE TIE APPROXIMATELY EVERY 4 INCHES.
  - ROUTE TWISTED PAIR WIRE UNDER SHRINK TUBING.



VIEW A-A  
(WIRING SIDE)  
SCALE: NONE

VIEW B-B  
(WIRING SIDE)  
SCALE: NONE



CAUTION: SEE OFF SHEET PARTS LIST  
K-PL-7016929-0-DBP.  
(Z4164B.PLS)

QTY	DESCRIPTION	DWG. PART NO.	ITEM NO.
1	TIE, CABLE	3007331-00	12
36	WIRE, STRND, 22AWG IVPC	3107420-89	11
1	LABEL, THIS SIDE TOWARD	3617173-01	10
1	LABEL, CABLE IDENT	3616375-00	9
1	LABEL, THIS END UP	3617173-00	8
13	CONTACT, CRIMP, 30-36AWG	1217100-01	7
2	TUBING, SHRINK, .375 I.D.	3107252-09	6
4	CONTACT, CRIMP, 24-30AWG	1217100-00	5
1	CONN. HOUSING, 22 POS	1217339-00	4
17	CONTACT, SP. RP TYP REEL	1210033-07	3
1	TERM. .53 (34 POS)	1210913-25	2
36	CABLE, GROUND, 2, 22, 4, 24AWG	1720190-00	

DESCRIPTION		DWG. PART NO.	ITEM NO.
UNLESS OTHERWISE SPECIFIED DIMENSIONS ARE IN INCHES			
ANGLES 90° 30'	CLASS OF ACCURACY	NOMINAL DIMENSION RANGE INCHES	
SURFACE QUALITY IN	(CHECK ONE)	OVER 0	OVER 1.2
MICROINCHES	MEDIUM	OVER 1.2	OVER 4.0
	PREFERRED	OVER 4.0	OVER 12.0
		OVER 12.0	OVER 40.0
		OVER 40.0	OVER 90.0
QUANTITY & VARIATION		±.004	±.008
		±.012	±.018
		±.024	±.04
		±.012	±.018
		±.025	±.04
		±.063	±.1

REV.	CHANGE NO.	DATE	BY	CHK'D
1	7016929-TW001	11/750	A	
2	7016929-TW002	11/750	B	
3	7016929-TW003	11/750	C	

THIRD ANGLE PROJECTION

REMOVE BURRS AND BREAK SHARP CORNERS

DO NOT SCALE DWG

MATERIAL SEE PARTS LIST

FINISH

FIRST USED ON 11/750

TITLE CONSOLE SIGNAL CABLE ASSY

E-UA-7016707-0-0

SCALE NONE

SHEET 1 OF 1

SIZE D

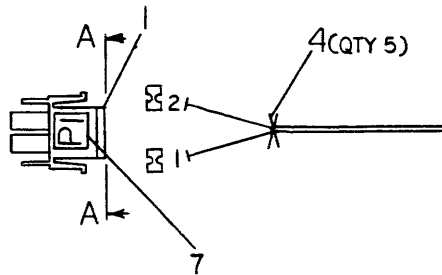
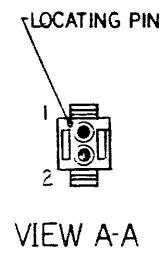
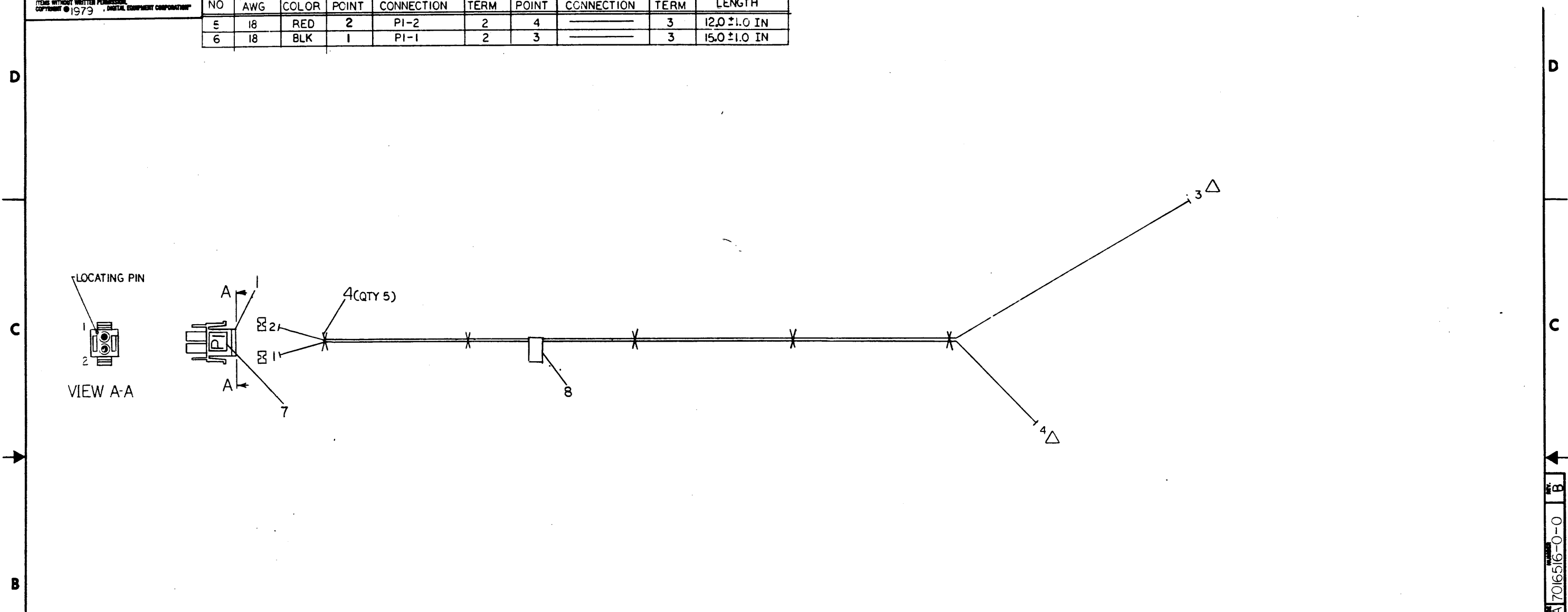
CODE IA

NUMBER 7016929-0-0

REV. 3

THIS DRAWING AND SPECIFICATIONS, HEREIN, ARE THE PROPERTY OF DIGITAL EQUIPMENT CORPORATION AND SHALL NOT BE REPRODUCED OR COPIED OR USED IN WHOLE OR IN PART AS THE BASIS FOR THE MANUFACTURE OR SALE OF ITEMS WITHOUT WRITTEN PERMISSION. COPYRIGHT © 1979, DIGITAL EQUIPMENT CORPORATION

ITEM NO	DESCRIPTION		FROM			TO			PRECUT LENGTH
	AWG	COLOR	POINT	CONNECTION	TERM	POINT	CONNECTION	TERM	
5	18	RED	2	PI-2	2	4		3	12.0 ±1.0 IN
6	18	BLK	1	PI-1	2	3		3	15.0 ±1.0 IN



QTY	DESCRIPTION	DWG/PART NO.	ITEM NO.
1	CABLE, CABLE IDENT.	3616073-00	8
1	DECAL, POWER	7409872-2	7
20.5"	WIRE 18 AWG STRD BLK	9107360-00	6
17.25"	WIRE 18 AWG STRD RED	9107360-22	5
X 5	CABLE TIE	9007031-00	4
△ 2	RING TERM #6 RED	9007929-00	3
⊗ 2	SOCKET UNIV MATE-N-LOK	1212170-03	2
1	2 PIN UNIV HSG MATE-N-LOK	1212167-02	1

SYMBOL	UNLESS OTHERWISE SPECIFIED DIMENSIONS ARE IN INCHES	
	ANGLES 30° 30'	CLASS OF ACCURACY (CHECK ONE)
QUANTITY & VARIATION	NOMINAL DIMENSION RANGE INCHES	
	SURFACE QUALITY IN	MICROINCHES
THIRD ANGLE PROJECTION	DRN. DATE	FIRST USED ON
	CHK'D DATE	TITLE
REMOVE BURRS AND BREAK SHARP CORNERS	PROJ. ENG.	SCALE
	PROD. DATE	SHEET
DO NOT SCALE DWG	NEXT HIGHER ASSY.	SIZE CODE NUMBER
MATERIAL SEE PARTS LIST	E-UL-7016707-0-0	D IA 7016516-C-0
FINISH	SCALE	DIST.

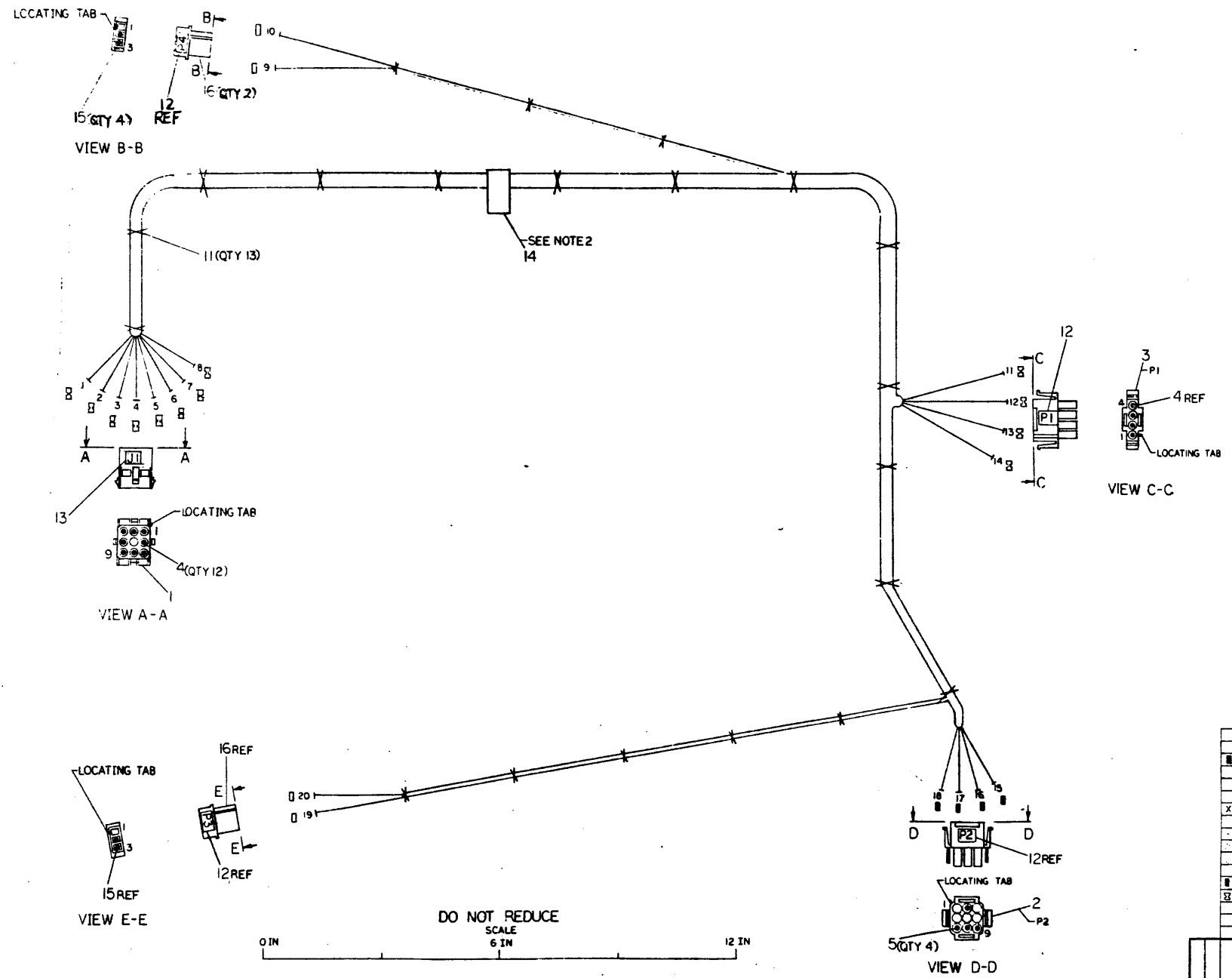
REV.	CHANGE NO.	DATE	BY	APP.
A	1	11/15/79	J. DAVIS	
B	1	11/22/79	M. J. KNOWLES	

D IA 7016516-0-0

A

ITEM NO	DESCRIPTION	WIRE TABLE								PRECUT LENGTH
		AWG	COLOR	POINT	CONNECTION	TERM	POINT	CONNECTION	TERM	
9	14	RED	8	J1-1	4	12	P1-3	4	32.5	IN ± .25
9	14	RED	7	J1-2	4	11	P1-4	4	32.5	
6	18	GRY	6	J1-3	4	18	P2-3	5	40.25	
18	18	YEL	5	J1-4	4	17	P2-4	5	40.25	
18	18	GRY	4	J1-6	4	16	P2-6	5	40.25	
14	14	BLK	3	J1-7	4	14	P1-1	4	32.5	
14	14	BLK	2	J1-8	4	13	P1-2	4	32.5	
16	16	BLK	1	J1-9	4	15	P2-9	5	40.25	
16	16	BLK	9	P4-3	15	19	P3-3	15	45.50	
17	18	WHT	10	P4-2	15	20	P3-2	15	45.50	IN ± .25

NOTES:  
 1. LOCATE CABLE TIES (ITEM 14) APPROX EVERY 3 INCHES AS SHOWN.  
 2. LOCATE CABLE LABEL (ITEM 16) APPROX AS SHOWN.



ITEM NO	DESCRIPTION	QTY	UNIT	ITEM NO	DESCRIPTION	QTY	UNIT
46	WIRE 18 AWG STRD	WHT	9107360-99	17			
2	3 PIN HOUSING MATE-N-LOC	1209351-03		16			
4	PIN MATE-N-LOC	1209378-00		15			
1	LABEL CABLE IDENT	3816073-00		14			
1	LABEL POWER HARNESS	7409872-2		13			
1	PC WEP CONNECTOR DECAL	7409873-2		12			
X 21	CABLE TIE	9007031-00		11			
41	WIRE 18 AWG STRD	BLK	9107360-00	10			
65	WIRE 14 AWG STRD	RED	9107370-22	9			
65	WIRE 14 AWG STRD	BLK	9107370-00	8			
41	WIRE 18 AWG STRD	YEL	9107360-44	7			
81	WIRE 18 AWG STRD	GRY	9107360-83	6			
4	PIN UNIV MATE-N-LOC	121269-00		5			
12	SOCKET UNIV MATE-N-LOC	121270-00		4			
1	4 PIN HOUSING MATE-N-LOC	121267-01		3			
1	9 PIN HOUSING MATE-N-LOC	121267-04		2			
1	9 PIN HOUSING MATE-N-LOC	121268-07		1			

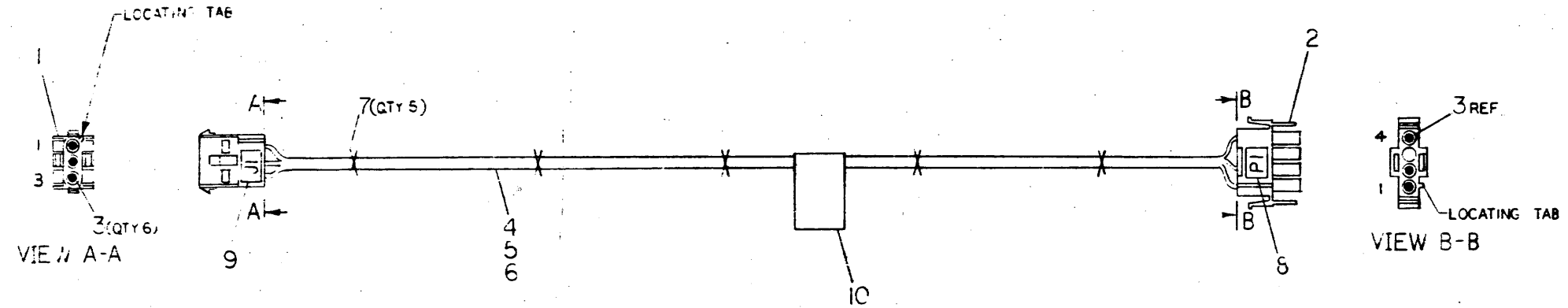
UNLESS OTHERWISE SPECIFIED DIMENSIONS ARE IN INCHES	DATE	1/7/50	FIRST USED ON	1/7/50	
QUANTITY & VARIATION	DATE	1/7/50	BY	AW	
APPROVED	DATE	1/7/50	BY	AW	
DO NOT SCALE DIMS	DATE	1/7/50	BY	AW	
SEE PARTS LIST	DATE	1/7/50	BY	AW	
SCALE	1:1	DATE	1/7/50	BY	AW
FIG. NO.	1	DATE	1/7/50	BY	AW
REV.		DATE		BY	

BATTERY BACK-UP  
PWR BUS HARNESS

8 7 6 5 4 3 2 1

THIS DRAWING AND SPECIFICATIONS HEREIN ARE THE PROPERTY OF DIGITAL EQUIPMENT CORPORATION, AND SHALL NOT BE REPRODUCED OR COPIED IN WHOLE OR IN PART AS THE BASIS FOR THE MANUFACTURE OR SALE OF THIS WITHOUT WRITTEN PERMISSION.  
 © 1978 DIGITAL EQUIPMENT CORPORATION

WIRE TABLE							
ITEM	DESCRIPTION	FROM	TO	PRECUT			
NO	AWG	COLOR	CONN WITH	CONN WITH	LENGTH		
4	18	BLK	J1-1	PI-1	ITEM 3	15.0" ±.3	
5	18	WHT	J1-2	PI-2	ITEM 3	15.0" ±.3	
6	18	RED	J1-3	PI-4	ITEM 3	15.0" ±.3	



CAUTION: OFF SHEET PARTS LIST  
 SEE B-PL-7016928-0-0.

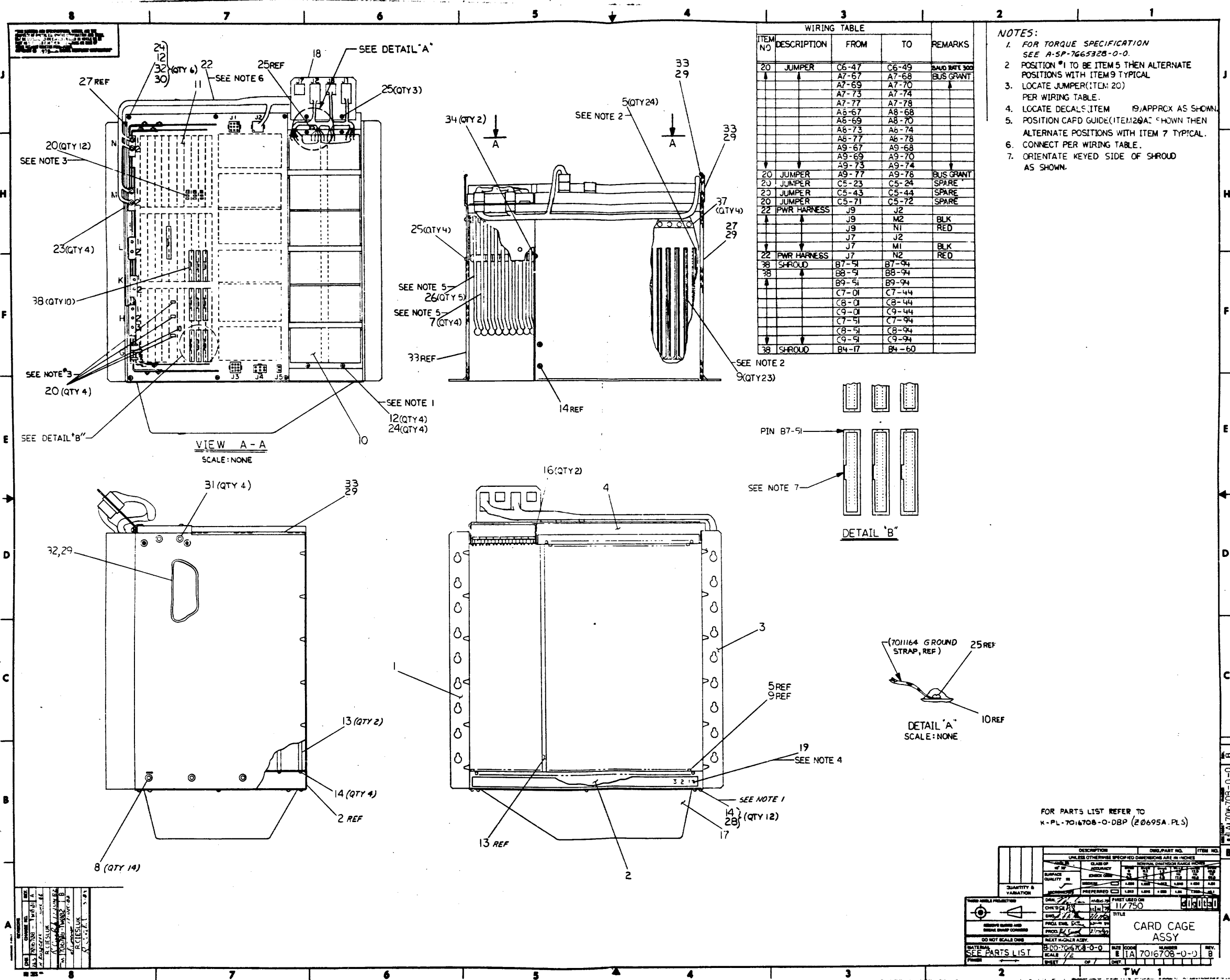
REVISION HISTORY	
DATE	DESCRIPTION
12/28/79	REVISED TO ADD PARTS LIST
12/28/79	REVISED TO ADD PARTS LIST
12/28/79	REVISED TO ADD PARTS LIST

DESCRIPTION	DRAWING NO.	PART NO.	ITEM NO.
UNLESS OTHERWISE SPECIFIED DIMENSIONS ARE IN INCHES AND THE FOLLOWING TOLERANCES APPLY (PER DEC STD 114)			
INCHES TOLERANCES	ANGLES 20°/30°	APPLICABLE DIMENSION RANGE	DIMENSION RANGE IN INCHES
X ± .1	SURFACE QUALITY	CHECK ONE	OVER 0 TO 0.2
XX ± .02			OVER 0.2 TO 0.4
XXX ± .01	MICROINCHES	CHECK ONE	OVER 0.4 TO 1.0
			OVER 1.0 TO 3.0
THIRD ANGLE PROJECTION	DATE 12/FEB/80	TITLE	
DO NOT SCALE DRAWINGS	DESIGNED BY A. MOWRY	PATCH CABLE	
REMOVE BURRS AND BREAK SHARP CORNERS	DATE 12/FEB/80	AIR FLCW SENSOR	
MATERIAL	DESIGNED BY J.B. DAVIS JR.	DOCUMENT NUMBER	
SEE PARTS LIST	DATE 12/FEB/80	DIA 7016928-0-0	
FINISH	DESIGNED BY R. MARTEL	SCALE	
	DATE 12/FEB/80	1 TW	
	DESIGNED BY J.P. WOERNER	1	
	DATE 12/FEB/80	E-UA-7016928-0-0	

8 7 6 5 4 3 2 1







REV	DATE	BY	CHKD
1	11/75	...	...
2	...	...	...

FOR PARTS LIST REFER TO  
K-PL-7016708-0-DBP (20695A-PLS)

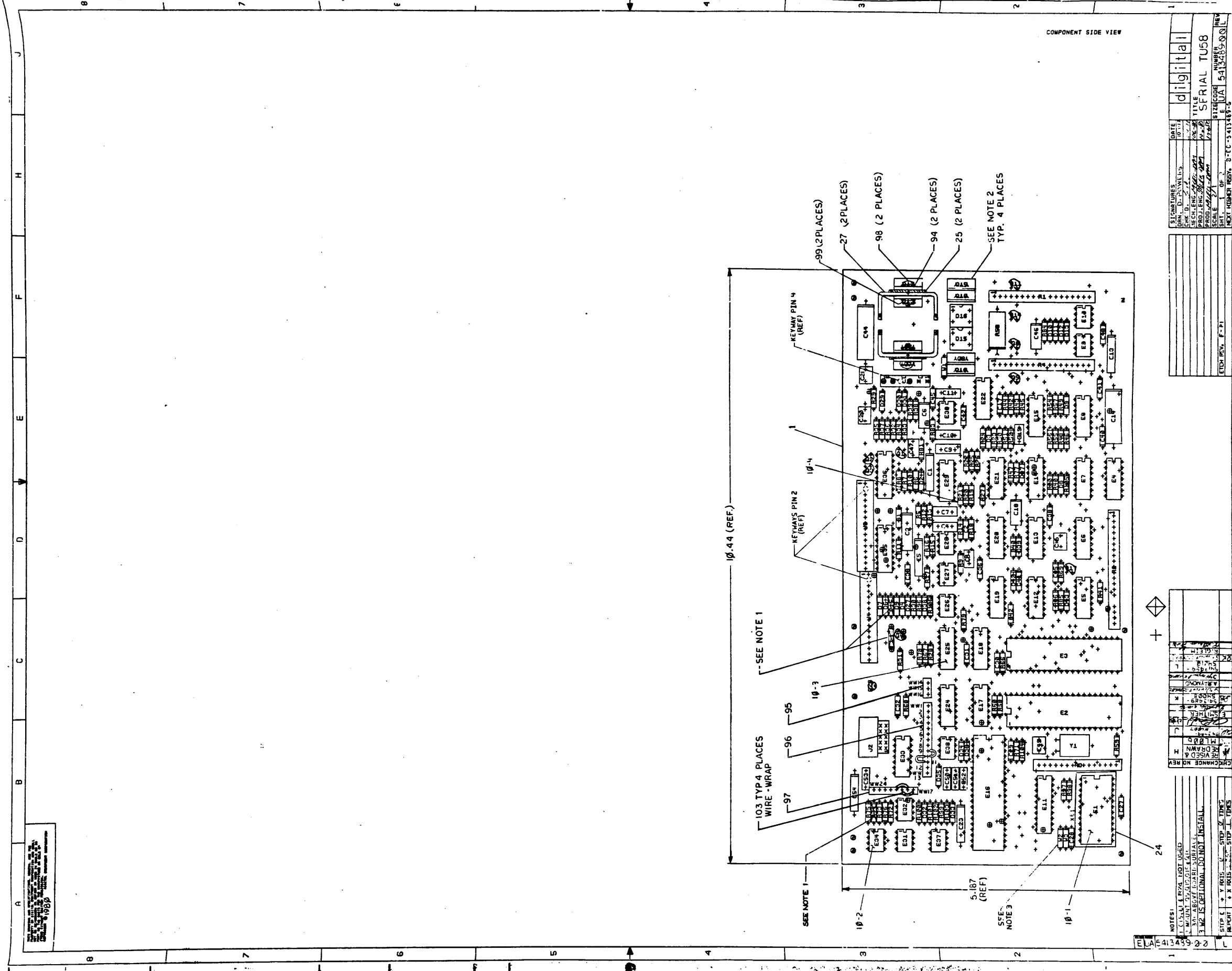
QUANTITY & VARIATION	DESCRIPTION	DWG PART NO.	ITEM NO.
1	CARD CAGE ASSY	7016708-0-0	1

DATE: 11/75  
FIRST USED ON: 11/75  
TITLE: CARD CAGE ASSY  
MATERIAL: 7016708-0-0  
SCALE: 1/2  
DWG NO: 7016708-0-0  
REV: B

LINE ITEM	DOCUMENT NUMBER	PART NUMBER	DESCRIPTION	QUANTITY	PFR VARIATION
1		E-MD-7421593-0-0	7421593-00	PLATE, SIDE, LH, CARD CAGE	1
2		E-MD-7421591-0-0	7421591-00	PAN, BOTTOM, CARD CAGE	1
3		E-MD-7421592-0-0	7421592-00	PLATE, SIDE, RH, CARD CAGE	1
4		E-MD-7421590-0-0	7421590-00	PAN, TOP, CAGE CAGE	1
5			1212405-00	CARD GUIDE, NYLON	24
6			9006037-01	SCREW, PAN, PHIL 8-32X 3/8 SS	4
7			1215848-00	CARD GUIDE	4
8			9009241-00	RIVET, BLIND, .188 DIA X .402 LG	14
9			1212405-01	CARD GUIDE, NYLON	23
10	B-DD-DD11-D-1		DD11-DK	RACK PLANE ASSY	1
11	B-DD-7016486-0-0		7016486-00	RACKPLANE	1
12			9008905-01	SCREW, PAN, PHIL 8-32X1-1/8 SS	10
13	C-MD-7423051-0-0		7423051-00	POD, SUPPORT	2
14			9009701-00	SCREW, SEMS, PHILLIPS PAN HD 6-3	16
15	A-PS-3617172-0-0		3617172-00	LABEL, MODULE UTILIZATION FOR VAX	1
16	B-MD-7421576-0-0		7421576-00	SUPPORT CARD GUIDE	2
17	D-IA-7016183-0-0		7016183-00	PLENUM ASSY CARD CAGE	1
18	D-MD-7421646-0-0		7421646-00	ARMT. CONNECTOR	1
19	A-SP-3617170-0-0		3617170-00	LABEL, MODULE SLOT NUMBERING FOR	1
20			1214314-00	CONN 2POS JUMPER	16
21	D-IA-7016380-0-0		7016380-00	HARNESS, POWER	1
22			9006565-00	NUT, KEP 10-32X 3/8 AF	4
23			9008151-00	WASHER, LOCK, EXT. TOOTH #8	9
24			9009545-00	SCREW, SEMS, PHILLIPS PAN HD., 8	3
25			1215848-01	CARD GUIDE	5
26			9007622-00	GROMMET, CATERPILLAR	1
27			9006659-00	WASHER, FLAT, .375 O.D. X .156 I	12
28			9009157-00	ADH, LIQ. RM. TEMP CURING COLORLESS	A/R
29			9006711-00	WASHER, NYLON, FLAT #10 .281 OD	6

REVISION HISTORY		BASIC PART NO: 7016708		DIPN: A. ROCHA		DATE: 02-MAY-80		D I G I T A L	
ENG	ECO NUMBER	REV	SECTION A OF A	CHK'D:	R. J. RILEY	DATE:	02-MAY-80	TITLE	PARTS LIST
---	INITIAL	*	SECTION. VARIATION INDEX	(A) 00				CARD CAGE ASSY	
			(B)	DES. ENG.:	P. MCMAHUS	DATE:	02-MAY-80		
			(C)	RESP. ENG.:	D. CANE	DATE:	02-MAY-80		DOCUMENT NUMBER
			(D)					SIZE:	CODE:
			(E)	MFG. ENG.:	R. SMITH	DATE:	02-MAY-80	K	PL
			(F)	ASSEMBLY NUMBER:	E-IA-7016708-0-0	TOP DOCUMENT NUMBER:	B-DD-7016708-0-0	FILE NAME:	Z0696.PLS
								EDIT #	2

"THIS DRAWING AND SPECIFICATIONS HEREIN, ARE THE PROPERTY OF DIGITAL EQUIPMENT CORPORATION AND SHALL NOT BE REPRODUCED OR COPIED OR USED IN WHOLE OR IN PART AS THE BASIS FOR THE MANUFACTURE OR SALE OF ITEMS WITHOUT WRITTEN PERMISSION. COPYRIGHT (C) 1980. DIGITAL EQUIPMENT CORPORATION"



THIS DRAWING IS THE PROPERTY OF THE  
 UNITED STATES GOVERNMENT AND IS  
 LOANED TO YOU. IT AND ITS CONTENTS  
 ARE NOT TO BE DISTRIBUTED OUTSIDE  
 YOUR AGENCY. (FORM 101-108)

NOTES:  
 1. CATAL NUM NOT USED  
 2. MOUNT ABOVE BOARD  
 3. W. ABOVE BOARD SERIAL L.  
 4. W. IS OPTIONAL. DO NOT INSTALL.

STEP	DATE	BY	CHK'D
1			
2			
3			
4			
5			
6			
7			
8			
9			
10			

NO.	DESCRIPTION	DATE	BY	CHK'D
1	ISSUED FOR MANUFACTURE			
2	REVISED FOR MANUFACTURE			
3	REVISED FOR MANUFACTURE			
4	REVISED FOR MANUFACTURE			
5	REVISED FOR MANUFACTURE			
6	REVISED FOR MANUFACTURE			
7	REVISED FOR MANUFACTURE			
8	REVISED FOR MANUFACTURE			
9	REVISED FOR MANUFACTURE			
10	REVISED FOR MANUFACTURE			

DATE	10/11/58	TITLE	digital
CHK'D	D. PALVELIN	SERIAL	TU58
DESIGNED	W. J. BROWN	NUMBER	EUA 541349-001
PROD'D	W. J. BROWN	SCALE	1" = 1"
SCALE	1" = 1"	BY	W. J. BROWN
SHEET	1 OF 2	BY	W. J. BROWN
NEXT NUMBER DESN. 3-TC-541349-2			

THE DIMENSIONS AND THE SPECIFIC MANUFACTURING INSTRUCTIONS ARE SUBJECT TO CHANGE WITHOUT NOTICE. THE DIMENSIONS AND THE SPECIFIC MANUFACTURING INSTRUCTIONS ARE SUBJECT TO CHANGE WITHOUT NOTICE. THE DIMENSIONS AND THE SPECIFIC MANUFACTURING INSTRUCTIONS ARE SUBJECT TO CHANGE WITHOUT NOTICE.

**ECO # 10, REWORK:**  
**SIDE 1:**  
 10-1. CHANGE E1 TO 23309E2-00.  
 10-2. CHANGE E34 TO 1919542-01.  
 10-3. CHANGE E25 TO 1910534-00.  
 10-4. CHANGE R21 TO 1301310-00.

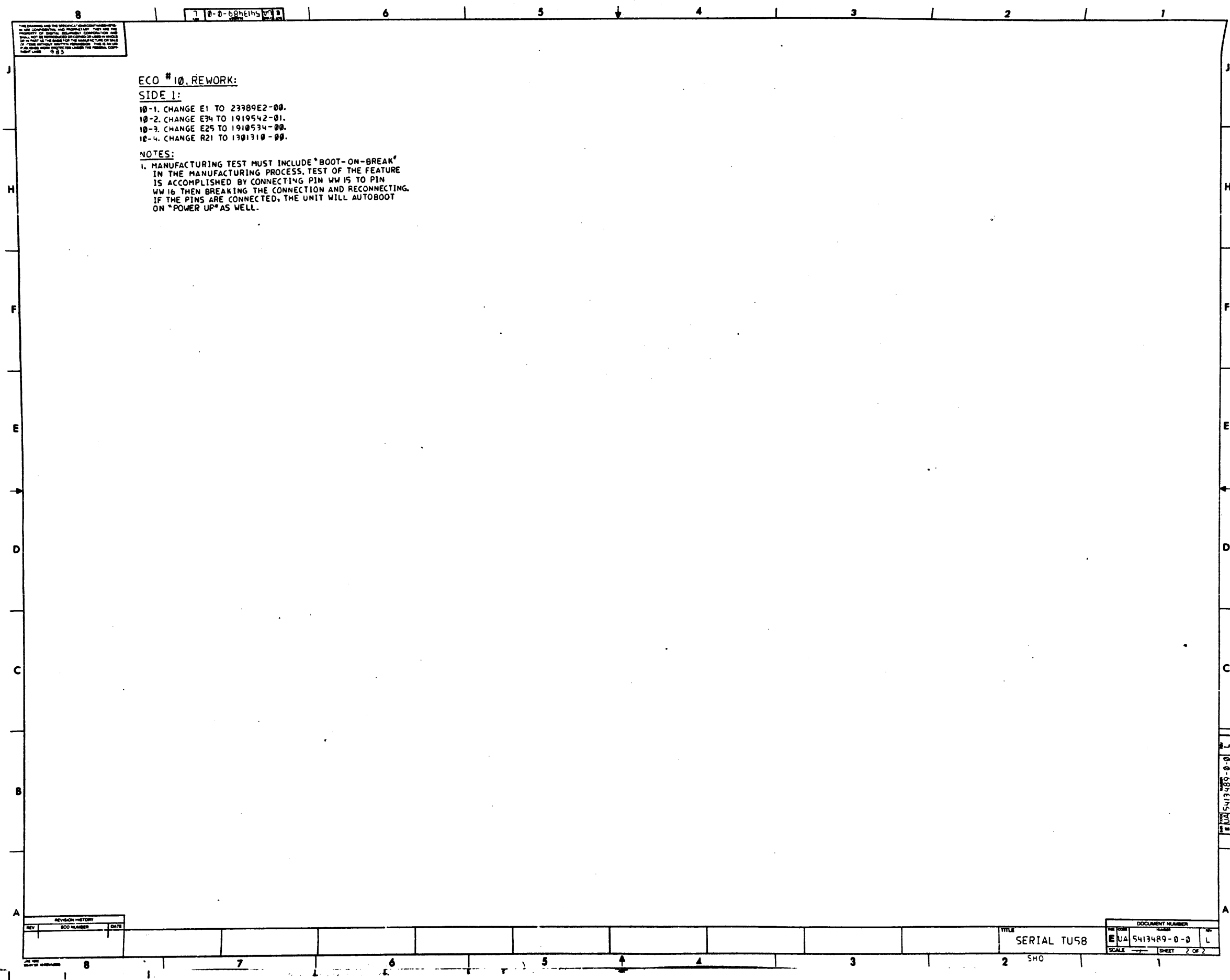
**NOTES:**  
 1. MANUFACTURING TEST MUST INCLUDE "BOOT-ON-BREAK" IN THE MANUFACTURING PROCESS. TEST OF THE FEATURE IS ACCOMPLISHED BY CONNECTING PIN WW 15 TO PIN WW 16 THEN BREAKING THE CONNECTION AND RECONNECTING. IF THE PINS ARE CONNECTED, THE UNIT WILL AUTOBOOT ON "POWER UP" AS WELL.

REV	ECO NUMBER	DATE

TITLE SERIAL TUSB

REV	ECO NUMBER	DATE
EUA	5413489-0-0	L

SCALE SHEET 2 OF 2



LINE	ITEM	DOCUMENT NUMBER	PART NUMBER	DESCRIPTION	QTY PER VARIATION 00	REFERENCE DESIGNATOR
1	1		5013488-00	TU58 ELECTRONIC SERIAL	1	
2	2		1215816-00	PCB HEADER 15PIN(1X15).100CC STR	2	J3,J4
3	3		1000021-00	220.0 MMF 100V 5%200PPM MICA	1	C10
4	4		1000023-00	*** THIS ITEM IS NOT USED ***	-	
5	5		1010978-36	.1 MFD 50V 10% CER	3	C8,C16,C47
6	6		1000042-00	1000.0 MMF 100V 5%200PPM MICA	2	C9,C7
7	7		1001610-00	.01 MFC 50V +80-20% Z5U CER	17	C2,C17,C27-C33,C35,C36,C38,C40, C41,C42,C43,C45
8	8		1001776-00	1 MFD 35V 10% S.TANT	2	CONT C6,C46
9	9		1002315-00	2000.0 MMF 500V 5%200PPM MICA	1	C12
10	10		1013466-21	3.3 MMF 50V+- .5PF CER	1	C4
11	11		1002431-00	2.2MFD 35V 10% S.TANT	2	C1,C3
12	12		1005306-00	6.8MFD 35V 10% S.TANT	4	C5,C13,C23,C54
13	13		1005334-00	*** THIS ITEM IS NOT USED ***	-	
14	14		1005820-00	22.0 MMF 100V 5%200PPM MICA	1	C11
15	15		1010978-40	.22 MFD 50V 10% CER	1	C19
16	16		1011895-00	.15 MFD 35V 10% S.TANT	1	C18
17	17		1012312-00	*** THIS ITEM IS NOT USED ***	-	
18	18		1100101-00	*** THIS ITEM IS NOT USED ***	-	
19	19		1102808-00	VZ= 5.6 5% 400 MW 1N752A	1	D27
20	20		1105275-00	PIV= 60 IO=300 MA -15NS	25	D1-D13,D31,D33-D43
21	21		1110324-00	LED 1MCD@10MA PIV=3	1	D28
22	22		1115369-00	DIODE ARRY PIV= 100 IO= 1.00A	2	D15,D16
23	23		1213506-04	PCB HEADER 09PIN(2X05).100CC 90D	1	J2
24	24		1212385-04	SKT,IC 24PIN DIP GOLD SOLD	1	XE1
25	25	USED FOR Q7 & Q12	1213071-06	INSULATOR,RUBBER SILICONE	2	
26	26		1213113-01	*** THIS ITEM IS NOT USED ***	-	
27	27		1213418-01	HEAT SINKS, 1.380X1.00	2	
28	28		1300247-00	120.0 .25 W 5.0 % CF	1	R75
29	29		1300274-00	*** THIS ITEM IS NOT USED ***	-	

REVISION HISTORY			BASIC PART NO: 5413489			D I G I T A L		
ENG	ECO NUMBER	REV	SECTION A OF A	DRN:	DATE:	TITLE		
	INIT	C	SECTION VARIATION INDEX	DAN MUTNANSKY	22-MAY-78	PARTS LIST		
PB	5413489-ML001	D	[A] 00	P. BOSSMAN	6-JUNE-78	SERIAL TU58		
M.L	5413489-ML003	E	[B]	MIKE LEIS	22-MAY-78	DOCUMENT NUMBER		
ML	5413489-ML004	F	[C]	M. LEIS	6-JUNE-78	SIZE	CODE	NUMBER
D.M	5413489-ML006	H	[D]	P. BARTON	6-JUNE-78	K	PL	5413489-0-DBP
E.S	5413489-ML007	J	[E]	ASSEMBLY NUMBER:	TOP DOCUMENT NUMBER:	FILE NAME:		REV
A.R	5413489-SH008	K	[F]	E-UA-5413489-0-0	TU58	Z0582L.PLS		43
R.G	5413489-SH010	L	[H]					
			[J]					
			[K]					
			[L]					
			[M]					
			[N]					

"THIS DRAWING AND SPECIFICATIONS HEREIN, ARE THE PROPERTY OF DIGITAL EQUIPMENT CORPORATION AND SHALL NOT BE REPRODUCED OR COPIED OR USED IN WHOLE OR IN PART AS THE BASIS FOR THE MANUFACTURE OR SALE OF ITEMS WITHOUT WRITTEN PERMISSION. COPYRIGHT (C) 1983. DIGITAL EQUIPMENT CORPORATION "

AUTOMATED BY PRTLST.2D(16)

PARTS LIST

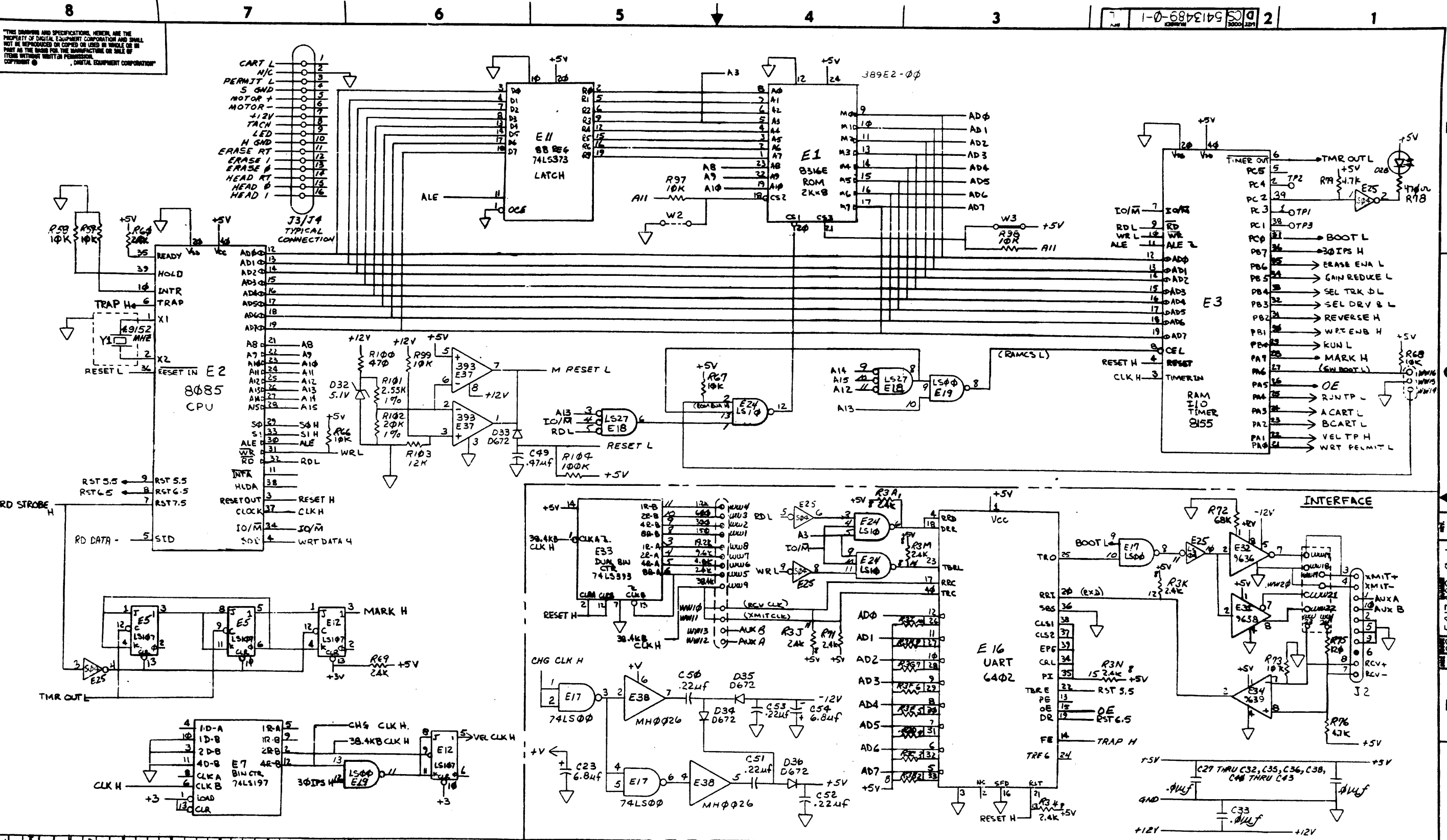
SHEET A2 OF A3

LINE	ITEM	DOCUMENT NUMBER	PART NUMBER	DESCRIPTION	QTY	PER VARIATION	REFERENCE DESIGNATOR
					00		
30	30		1300316-00	470.0			
31	31		1300365-00	1.0 K	.25 W 5.0 %	CF	5
32	32		1300295-00	*** THIS ITEM IS NOT USED ***			2
33	33		1300447-00	4.70 K	.25 W 5.0 %	CF	8
34	34		1300479-00	10.0 K	.25 W 5.0 %	CF	21
							CONT
							CONT
35	35		1301322-00	180.0	.25 W 5.0 %	CF	1
36	36		1301327-00	68.0 K	.25 W 5.0 %	CF	1
37	37		1300432-00	3.0 K	.25 W 5.0 %	CF	1
38	38		1301969-00	22.0	.25 W 5.0 %	CF	1
39	39		1302092-00	220.0 K	.25 W 5.0 %	CF	1
40	40		1302177-00	47.0 K	.25 W 5.0 %	CF	2
41	41		1302388-00	2.0 K	.25 W 5.0 %	CF	5
42	42		1302391-00	20.0 K	.25 W 5.0 %	CF	1
43	43		1302394-00	30.0 K	.25 W 5.0 %	CF	2
44	44		1302396-00	150.0 K	.25 W 5.0 %	CF	2
45	45		1302398-00	470.0 K	.25 W 5.0 %	CF	3
46	46		1302941-00	14.70 K	.25 W 1.0 %	RN55D-F10	3
47	47		1303177-00	2.40 K	.25 W 5.0 %	CF	8
48	48		1303312-00	10.0 K	.25 W 1.0 %	RN55D-F10	2
49	49		1305324-00	4.99 K	.25 W 1.0 %	RN55D-F10	4
50	50		1309386-00	5.60 M	.25 W 5.0 %	CF	1
51	51		1001610-01	*** THIS ITEM IS NOT USED ***			-
52	52		1311466-00	.20	2.0 W 5.0 %	WW	1
53	53		1313596-00	20.0 K	.25 W 1.0 %	RN55D-F10	2
54	54		1315660-00	R NETWORK 16-10K	1-4.7K 20PIN		1
55	55		1315661-00	R NETWORK MULTI-VALUE			2
56	56		1315662-00	R NETWORK 14-2.4K	10.0 % 15PIN		1
57	57		1503409-00	DEC6534D	PNP 310MW SI 40 90		2
58	58		1509142-00	DEC4250	PNP 200MW SI 40250		1
59	59		1509338-00	DEC6531B	NPN 310MW SI 40 90 P		6
60	60		1510421-00	D 44C8	NPN 30WT SI 60 20		4
61	61		1510598-00	DEC45C8	PNP 27WT SI 60 20 Y		4
62	62		1812396-06	XTAL	4.9152 MHZ		1
63	63		1910282-00		301AN OP AMP		1
64	64		1910645-00		75452 DRIVER, PERIPH, DUAL,		4
65	65		1910741-00		7406 INVERTER GATE-HEX 1I		1
66	66		1911242-00	*** THIS ITEM IS NOT USED ***			-
67	67		1912107-00		324 OP AMP, QUAD		1
68	68		1912108-00		339 VOLT CMPRTR, QUAD		1
69	69		1912799-00		LS00 NAND-GATE-QUAD 2IN, P		2
70	70		1912801-00		LS02 NOR-GATE-QUAD 2IN		1
71	71		1912803-00		LS04 INVERTER GATE, HEX		1
72	72		1912807-00		LS10 NAND GATE-TRIPLE 3IN		1
73	73		1912813-00		LS27 NOR GATE-TRIPLE 3IN		1
74	74		1912832-00		LS107 FF-JK DUAL MASTER/SL		2
75	75		1912857-00		LS197 COUNTER, BINARY, PRESET		1

D	I	G	I	T	A	L	TITLE	SECTION A	OF A	SIZE	CODE	DOCUMENT NUMBER	REV
							SERIAL TU58			K	PL	5413489-0-DBP	L

LINE	ITEM	DOCUMENT NUMBER	PART NUMBER	DESCRIPTION	QTY PER VARIATION 00	REFERENCE DESIGNATOR
76	76		1914451-00	LS393 COUNTER,BINARY,4BIT	1	E33
77	77		1914466-00	3130E OP AMP MOS/FET IN,CM	1	E28
78	78		1915219-00	LS373 FF-D OCTAL-TRANSPARE	1	E11
79	79		1915415-00	9636 DRIVER,DUAL,EIA RS-	1	E32
80	80		1915416-00	*** THIS ITEM IS NOT USED ***	-	
81	81		1915417-00	9638 DRIVER,DUAL,EIA RS-	1	E31
82	82		2113605-00	4006B SHIFT REG,18 STAGE	1	E14
83	83		2113609-00	4013B FF-D DUAL W/SET/RESE	1	E4
84	84		2113630-00	4052B MULTIPLEXER 4CHAN DI	1	E35
85	85		2113632-00	4066B BILATERAL SWITCH-QUA	1	E22
86	86		2113634-00	4070B X-OR GATE-QUAD CMOS	1	E21
87	87		2113937-00	UART 125K BUAD	1	E16
88	88		2114663-00	MM 80C95 BUFFER-GATE-HEX TRIS	1	E36
89	89		2114963-02	8085A 8BIT N-CHANNEL	1	E2
90	90		2114964-00	RAM 2048 MOSJ-STATIC	1	E3
91	91		23089E2-00	*** THIS ITEM IS NOT USED ***	-	
92	92		1212619-07	PCB,HEADER 06PIN(1X06).156CC STR	1	J1
93	93		9009185-00	JUMPER, WIRE, INSULATED, BLACK B	2	W1,W3
94	94	USED FOR Q7 & Q12	9010057-00	WASHER, SHOULDER INSULATG PPS	2	
95	95		1215816-01	PCB HEADER 03PIN(1X15).100CC STR	1	
96	96		1215816-02	PCB HEADER 13PIN(1X13).100CC STR	1	
97	97		1215816-03	PCB HEADER 08PIN(1X08).100CC STR	1	
98	98		9006011-01	SCREW,MACH PAN PHIL 4-	2	
99	99		9006557-00	NUT,HEX EXT TOOTH LCKWSHR 4-40	2	
100	100		1100124-00	VZ= 4.7 5% 400 MW 1N750A	2	D29,D30
101	101		1301890-00	560.0 .25 W 5.0 % CF	2	R32,R35
102	102		1313840-00	4.53 K .25 W 1.0 % RN55D-F10	1	R48
103	103		9105740-55	WIRE(WRAP) 30AWG KYNAR UL14	A/R	
104	104		1012084-03	150 MFD 15V +75-10% AL EL	2	C44,C14
105	105		9107256-11	*** THIS ITEM IS NOT USED ***	-	
106	106		1910741-01	7406N BUFFER,HEX	1	E20
107	107		5414232-00	*** THIS ITEM IS NOT USED ***	-	
108	108		1310633-00	2.55 K .25 W 1.0 % RN55D-F10	1	R101
109	109		1300488-00	12.0 K .25 W 5.0 % CF	1	R103
110	110		1302466-00	100.0 K .25 W 5.0 % CF	1	R104
111	111		1105871-00	VZ= 5.15 1% 250 MW	1	D32
112	112		1914156-00	LM 393 VOLT.COMPARATOR DUAL	1	E37
113	113		1912098-00	0026 DRIVER,MOS CLOCK,2	1	E38
114	114		1010274-01	.22 MFD 50V +80-20% Z5U CER	4	C50-C53
115	115		1010279-00	.47 MFD 25V 20% CER	3	C20,C21,C49
116	116		23294E2-00	*** THIS ITEM IS NOT USED ***	-	
117	117		23389E2-00	E2-01,E2-04 ROM	1	E1
118	118		1919542-01	9639 RECEIVER,LINE,DUAL	1	E34
119	119		1910534-00	74S04 INVERTER GATE-HEX 1I	1	E25
120	120		1301310-00	270.0 K .25 W 5.0 % CF	1	R21

D	I	G	I	T	A	L	TITLE	SECTION A OF A	SIZE	CODE	DOCUMENT NUMBER	REV
							SERIAL TU58		K	PL	5413489-0-DBP	L



THE DRAWING AND SPECIFICATIONS, HEREIN, ARE THE PROPERTY OF DIGITAL EQUIPMENT CORPORATION AND SHALL NOT BE REPRODUCED OR COPIED OR USED IN WHOLE OR IN PART AS THE BASIS FOR THE MANUFACTURE OR SALE OF ITEMS WITHOUT WRITTEN PERMISSION OF DIGITAL EQUIPMENT CORPORATION.

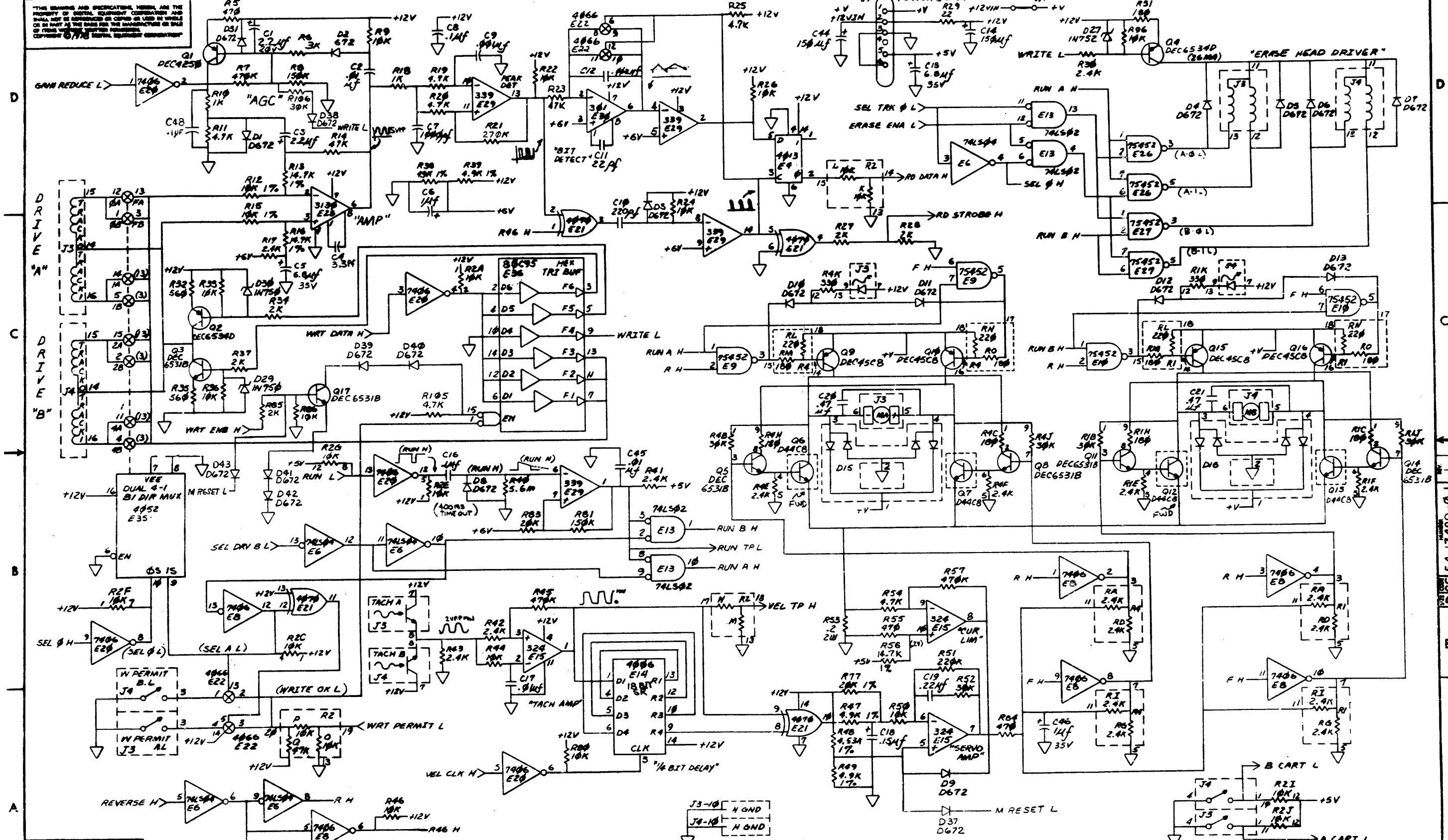
DIGITAL  
CS 5413489-0-1

REV.	CHG.	NO.	DATE	BY	DESCRIPTION
1				M. LEIS	INITIAL DESIGN
2				M. LEIS	REVISED
3				M. LEIS	REVISED
4				M. LEIS	REVISED
5				M. LEIS	REVISED
6				M. LEIS	REVISED
7				M. LEIS	REVISED
8				M. LEIS	REVISED
9				M. LEIS	REVISED
10				M. LEIS	REVISED
11				M. LEIS	REVISED
12				M. LEIS	REVISED
13				M. LEIS	REVISED
14				M. LEIS	REVISED
15				M. LEIS	REVISED
16				M. LEIS	REVISED
17				M. LEIS	REVISED
18				M. LEIS	REVISED
19				M. LEIS	REVISED
20				M. LEIS	REVISED
21				M. LEIS	REVISED
22				M. LEIS	REVISED
23				M. LEIS	REVISED
24				M. LEIS	REVISED
25				M. LEIS	REVISED
26				M. LEIS	REVISED
27				M. LEIS	REVISED
28				M. LEIS	REVISED
29				M. LEIS	REVISED
30				M. LEIS	REVISED
31				M. LEIS	REVISED
32				M. LEIS	REVISED
33				M. LEIS	REVISED
34				M. LEIS	REVISED
35				M. LEIS	REVISED
36				M. LEIS	REVISED
37				M. LEIS	REVISED
38				M. LEIS	REVISED
39				M. LEIS	REVISED
40				M. LEIS	REVISED
41				M. LEIS	REVISED
42				M. LEIS	REVISED
43				M. LEIS	REVISED
44				M. LEIS	REVISED
45				M. LEIS	REVISED
46				M. LEIS	REVISED
47				M. LEIS	REVISED
48				M. LEIS	REVISED
49				M. LEIS	REVISED
50				M. LEIS	REVISED
51				M. LEIS	REVISED
52				M. LEIS	REVISED
53				M. LEIS	REVISED
54				M. LEIS	REVISED
55				M. LEIS	REVISED
56				M. LEIS	REVISED
57				M. LEIS	REVISED
58				M. LEIS	REVISED
59				M. LEIS	REVISED
60				M. LEIS	REVISED
61				M. LEIS	REVISED
62				M. LEIS	REVISED
63				M. LEIS	REVISED
64				M. LEIS	REVISED
65				M. LEIS	REVISED
66				M. LEIS	REVISED
67				M. LEIS	REVISED
68				M. LEIS	REVISED
69				M. LEIS	REVISED
70				M. LEIS	REVISED
71				M. LEIS	REVISED
72				M. LEIS	REVISED
73				M. LEIS	REVISED
74				M. LEIS	REVISED
75				M. LEIS	REVISED
76				M. LEIS	REVISED
77				M. LEIS	REVISED
78				M. LEIS	REVISED
79				M. LEIS	REVISED
80				M. LEIS	REVISED
81				M. LEIS	REVISED
82				M. LEIS	REVISED
83				M. LEIS	REVISED
84				M. LEIS	REVISED
85				M. LEIS	REVISED
86				M. LEIS	REVISED
87				M. LEIS	REVISED
88				M. LEIS	REVISED
89				M. LEIS	REVISED
90				M. LEIS	REVISED
91				M. LEIS	REVISED
92				M. LEIS	REVISED
93				M. LEIS	REVISED
94				M. LEIS	REVISED
95				M. LEIS	REVISED
96				M. LEIS	REVISED
97				M. LEIS	REVISED
98				M. LEIS	REVISED
99				M. LEIS	REVISED
100				M. LEIS	REVISED

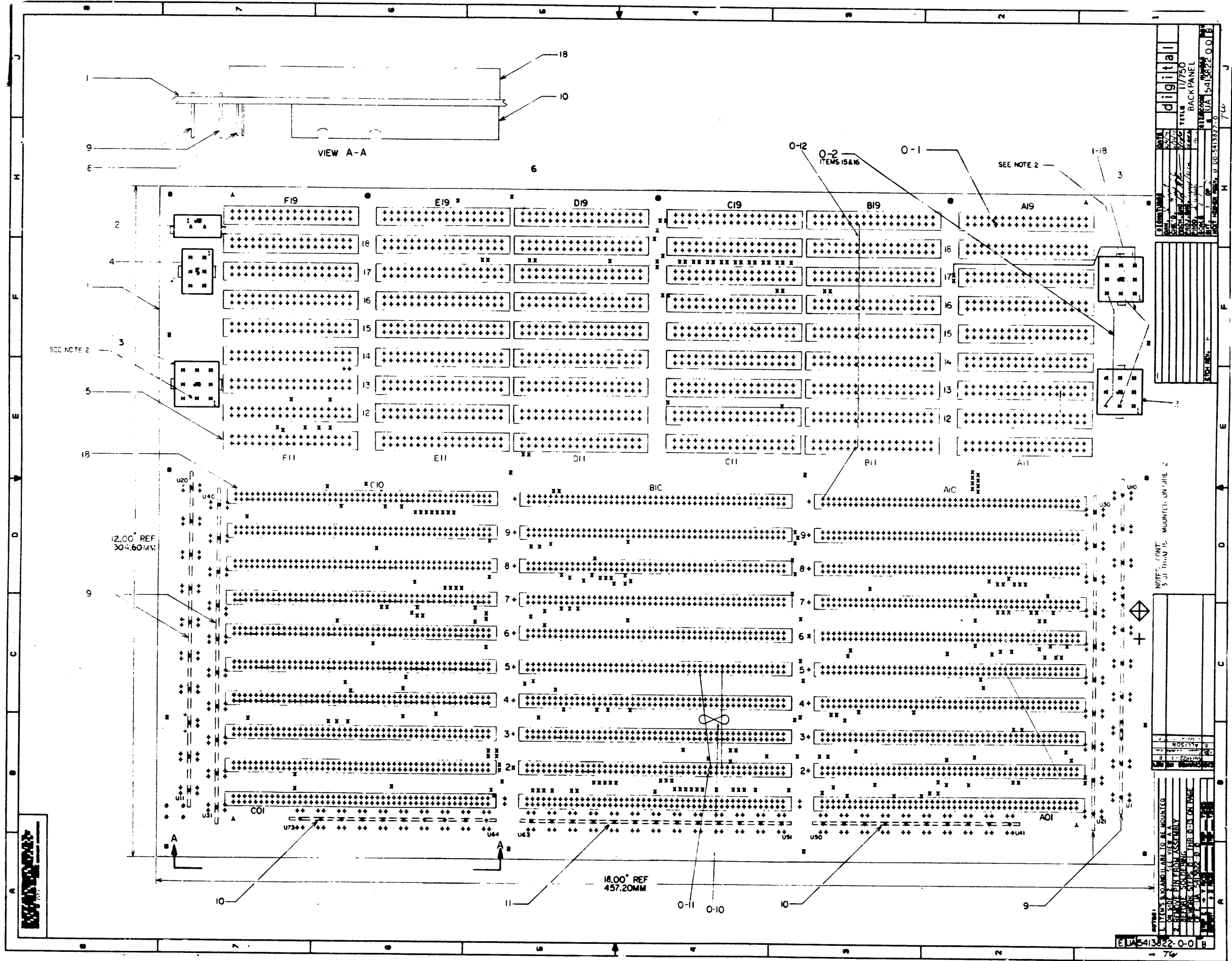
DRN. M. LEIS 7/20/78	FIRST USED ON	TU58
CHK'D M. LEIS 7/20/78	TITLE	TU58 ELECTRONICS:
ENG. ROSE/LEIS 7/20/78	PROJECT NO.	81178
PROD. PLAN 8/1/78	PROD. DATE	8-1-78
NEXT HIGHER ASSY.	SERIAL	
B-DD-5413489-0	SCALE	
SHEET 1 OF 2	DIST.	



THE DRAWING AND SPECIFICATIONS HEREIN ARE THE PROPERTY OF BENTON ELECTRONIC CORPORATION AND SHALL NOT BE REPRODUCED OR COPIED OR USED IN WHOLE OR IN PART AS THE BASIS FOR THE MANUFACTURE OR SALE OF OTHER EQUIPMENT WITHOUT THE WRITTEN PERMISSION OF BENTON ELECTRONIC CORPORATION



REVISIONS		
CHK	CHANGE NO.	REV.

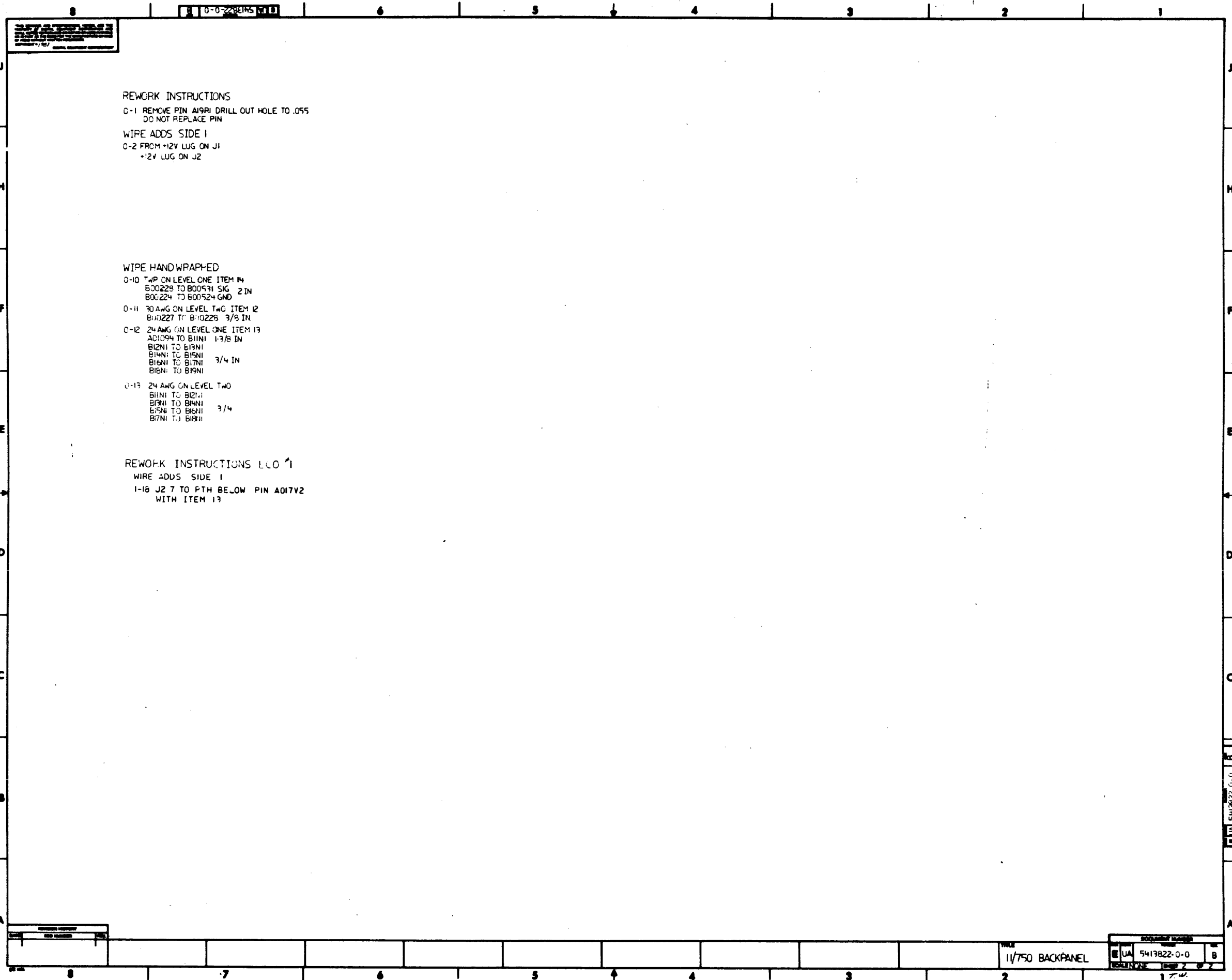


digital	
DATE	11/70
TITLE	BACK-PANEL
DESIGNED BY	U.S. AIR FORCE
DRAWN BY	U.S. AIR FORCE
CHECKED BY	U.S. AIR FORCE
APPROVED BY	U.S. AIR FORCE
PART NUMBER	U.S. AIR FORCE
QUANTITY	U.S. AIR FORCE
SCALE	U.S. AIR FORCE
REVISIONS	U.S. AIR FORCE

NOTES: CONT.  
 3 OF THIS IS MOUNTED ON PAGE 2

REV	DATE	DESCRIPTION
1		
2		
3		
4		
5		
6		
7		
8		
9		
10		
11		
12		
13		
14		
15		
16		
17		
18		
19		
20		
21		
22		
23		
24		
25		
26		
27		
28		
29		
30		

REV	DATE	DESCRIPTION
1		
2		
3		
4		
5		
6		
7		
8		
9		
10		
11		
12		
13		
14		
15		
16		
17		
18		
19		
20		
21		
22		
23		
24		
25		
26		
27		
28		
29		
30		



REWORK INSTRUCTIONS

0-1 REMOVE PIN A19R1 DRILL OUT HOLE TO .055  
DO NOT REPLACE PIN

WIPE ADDS SIDE 1

0-2 FROM +12V LUG ON J1  
+12V LUG ON J2

WIPE HANDWRAPPED

0-10 TWP ON LEVEL ONE ITEM 14  
B00229 TO B00531 SIG 2 IN  
B00224 TO B00524 GND

0-11 30 AWG ON LEVEL TWO ITEM 12  
B10227 TO B10226 3/8 IN

0-12 24 AWG ON LEVEL ONE ITEM 13  
A01094 TO B11N1 1-3/8 IN  
B12N1 TO B13N1  
B14N1 TO B15N1  
B16N1 TO B17N1 3/4 IN  
B18N1 TO B19N1

0-13 24 AWG ON LEVEL TWO  
B11N1 TO B12N1  
B13N1 TO B14N1  
B15N1 TO B16N1 3/4  
B17N1 TO B18N1

REWORK INSTRUCTIONS ECO 1

WIPE ADDS SIDE 1

1-16 J2 7 TO PTH BELOW PIN A017V2  
WITH ITEM 13

11/750 BACKPANEL  
5413822-0-0

11/750 BACKPANEL  
5413822-0-0

11/750 BACKPANEL

5413822-0-0  
B

LINE ITEM	DOCUMENT NUMBER	PART NUMBER	DESCRIPTION	QTY PER VARIATION	REFERENCE DESIGNATOR
				00	
1	E-MD-5013821-0-0	5013821-00	COMET BACKPANEL	1	
2		1212297-00	MATE-N-LOK 2PIN UNIV HEADER	1	J5
3		1212297-02	MATE-N-LOK 9PIN UNIV HEADER	3	J1-J3
4		1212297-05	MATE-N-LOK 6PIN UNIV HEADER	1	J4
5		1216173-00	EDGE CARD HOUSING 18 POS,DUAL	54	A11-A19,B11-B19,C11-C19,D11-D19, E11-E19,F11-F19
6	SEE NOTE	1216173-01	EDGE CARD PIN	A/R	CONT
7		1216174-00	EDGE CARD HOUSING,47POS	30	A1-A10,B1-B10,C1-C10
8	SEE NOTE	1216174-01	EDGE CARD PIN	A/R	
9		1216362-00	BUS BAR,END FOR 11/750	4	
10		1216365-00	BUS BAR,GROUND,FOR 11/750	2	
11		1216367-00	BUS BAR 13 PIN	1	
12		9105740-44	WIRE(WRAP)30AWG	A/R	UL1423
13		9107688-44	WIRE(WRAP)24AWG	A/R	UL1327
14		9107720-09	WIRE(WRAP)30AWG,TWP	A/R	UL1423
15		9107560-03	WIRE,BUSS,18AWG	A/R	
16		9107278-00	TUBING,THIN WALL,.042ID	A/R	UL

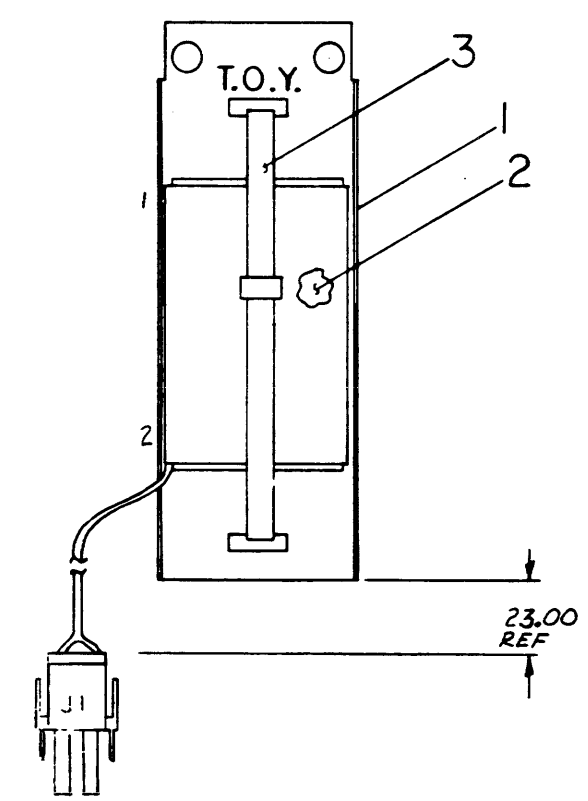
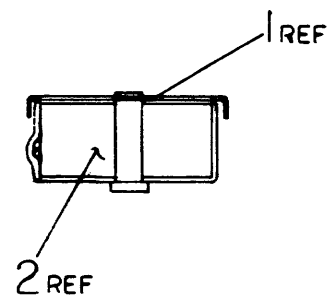
17 NOTE: ITEM #6, QUANTITY=1944.  
18 NOTE: ITEM #8, QUANTITY=2820.

REVISION HISTORY			BASIC PART NO: 5413822		
ENG	ECO NUMBER	REV	SECTION A OF A	DRN: J. LENT	DATE: 05-JUN-79
---	INITIAL	A	SECTION VARIATION INDEX	CHK'D: F. GERRY	DATE: 4-9-80
			[A] 00		
			[B]	DES.ENG: P. MCMANUS	DATE: 4-9-80
			[C]		
			[D]	RESP.ENG.: D. CANE	DATE: 4-9-80
			[E]		
			[F]		
			[G]		
			[H]		
			[I]		
			[J]		
			[K]	MFG.ENG.: C. MADY	DATE: 4-9-80
			[L]		
			[M]	ASSEMBLY NUMBER:	TOP DOCUMENT NUMBER:
			[N]	E-UA-5413822-0-0	B-DD-5413822-0-0
					FILE NAME: Z1262.FLS
					EDIT #: 7

\*THIS DRAWING AND SPECIFICATIONS HEREIN, ARE THE PROPERTY OF DIGITAL EQUIPMENT CORPORATION AND SHALL NOT BE REPRODUCED OR COPIED OR USED IN WHOLE OR IN PART AS THE BASIS FOR THE MANUFACTURE OR SALE OF ITEMS WITHOUT WRITTEN PERMISSION. COPYRIGHT (C) 1980. DIGITAL EQUIPMENT CORPORATION \*

TW

"THIS DRAWING AND SPECIFICATIONS, HEREIN, ARE THE PROPERTY OF DIGITAL EQUIPMENT CORPORATION AND SHALL NOT BE REPRODUCED OR COPIED OR USED IN WHOLE OR IN PART AS THE BASIS FOR THE MANUFACTURE OR SALE OF ITEMS WITHOUT WRITTEN PERMISSION.  
 COPYRIGHT © 1979, DIGITAL EQUIPMENT CORPORATION"



1	CABLE TIE	9009617-00	3
1	BATTERY PACK	C-IA-7016945-0-0	2
1	BRACKET, T.O.Y. MTG	C-MD-7422756-0-0	1

DESCRIPTION		DWG./PART NO.		ITEM NO.			
UNLESS OTHERWISE SPECIFIED DIMENSIONS ARE IN INCHES							
ANGLES ±0° 30'	CLASS OF ACCURACY (CHECK ONE)	NOMINAL DIMENSION RANGE INCHES					
SURFACE QUALITY IN MICROINCHES		OVER 0 TO 0.2	OVER 0.2 TO 1.2	OVER 1.2 TO 4.0	OVER 4.0 TO 12.0	OVER 12.0 TO 40.0	OVER 40.0 TO 80.0
✓	MEDIUM <input type="checkbox"/>	±.004	±.008	±.012	±.016	±.024	±.04
	PREFERRED <input type="checkbox"/>	±.012	±.016	±.025	±.04	±.063	±.1

THIRD ANGLE PROJECTION	DRN. <i>D. L. L.</i> 16 MAR 79	FIRST USED ON	11/750	<b>digital</b>
REMOVE BURRS AND BREAK SHARP CORNERS	CHK'D <i>J.F. Sullivan</i> 13 JUN 79	TITLE	TIME OF YEAR BATTERY	
DO NOT SCALE DWG	ENG. <i>J. Hill</i> 6/14/79			
MATERIAL SEE PARTS LIST	PROD. ENG. <i>W. Hall</i> 6/14/79	SIZE	CODE	NUMBER
FINISH	PROD. <i>Rib Smel</i> 3/17/80	C	AD	7016894-0-0
		SHEET	1	OF 1
		DIST.		

REVISIONS	REV.
CHANGE NO.	
CHK	

D  
C  
B  
A

D  
C  
B  
A

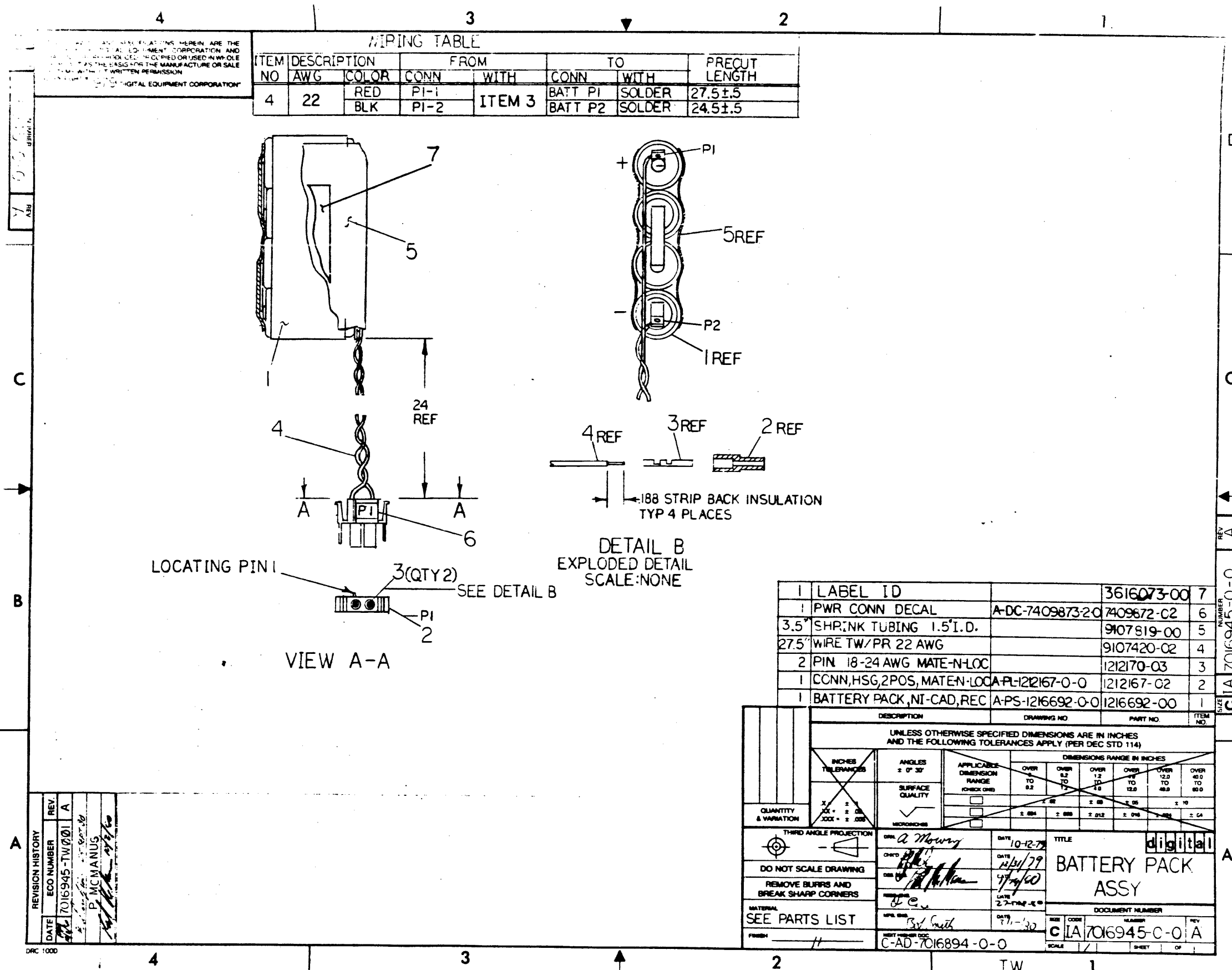
MANUFACTURE P-1188

DEC FORM NO. 78C 100-C

4 3 2 1

4 3 2 1 TW

SIZE CODE NUMBER  
C AD 7016894-0-0



WIPIING TABLE							
ITEM NO	DESCRIPTION	FROM		TO		PRECUT LENGTH	
		AWG	COLOR	CONN	WITH		CONN
4	22	RED	PI-1	ITEM 3	BATT P1	SOLDER	27.5±.5
		BLK	PI-2		BATT P2	SOLDER	24.5±.5

DESCRIPTION	DRAWING NO	PART NO	ITEM NO
1 LABEL ID		3616073-00	7
1 PWR CONN DECAL	A-DC-7409873-20	7409872-02	6
3.5" SHRINK TUBING 1.5" I.D.		9107819-00	5
27.5" WIRE TW/PR 22 AWG		9107420-02	4
2 PIN 18-24 AWG MATE-N-LOC		1212170-03	3
1 CONN, HSG, 2 POS, MATE-N-LOC	PL-1212167-0-0	1212167-02	2
1 BATTERY PACK, NI-CAD, REC	A-PS-1216692-0-0	1216692-00	1

UNLESS OTHERWISE SPECIFIED DIMENSIONS ARE IN INCHES AND THE FOLLOWING TOLERANCES APPLY (PER DEC STD 114)

INCHES TOLERANCES	ANGLES ± 0° 30'	SURFACE QUALITY	DIMENSIONS RANGE IN INCHES					
			APPLICABLE DIMENSION RANGE (CHECK ONE)	OVER TO 0.2	OVER TO 0.2 TO 1.0	OVER TO 1.0 TO 3.0	OVER TO 3.0 TO 12.0	OVER TO 12.0 TO 48.0
± .015			<input type="checkbox"/>	<input type="checkbox"/>	<input type="checkbox"/>	<input type="checkbox"/>	<input type="checkbox"/>	<input type="checkbox"/>
± .010			<input type="checkbox"/>	<input type="checkbox"/>	<input type="checkbox"/>	<input type="checkbox"/>	<input type="checkbox"/>	<input type="checkbox"/>
± .008			<input type="checkbox"/>	<input type="checkbox"/>	<input type="checkbox"/>	<input type="checkbox"/>	<input type="checkbox"/>	<input type="checkbox"/>
± .005			<input type="checkbox"/>	<input type="checkbox"/>	<input type="checkbox"/>	<input type="checkbox"/>	<input type="checkbox"/>	<input type="checkbox"/>
± .003			<input type="checkbox"/>	<input type="checkbox"/>	<input type="checkbox"/>	<input type="checkbox"/>	<input type="checkbox"/>	<input type="checkbox"/>
± .002			<input type="checkbox"/>	<input type="checkbox"/>	<input type="checkbox"/>	<input type="checkbox"/>	<input type="checkbox"/>	<input type="checkbox"/>
± .001			<input type="checkbox"/>	<input type="checkbox"/>	<input type="checkbox"/>	<input type="checkbox"/>	<input type="checkbox"/>	<input type="checkbox"/>
± .0005			<input type="checkbox"/>	<input type="checkbox"/>	<input type="checkbox"/>	<input type="checkbox"/>	<input type="checkbox"/>	<input type="checkbox"/>
± .0002			<input type="checkbox"/>	<input type="checkbox"/>	<input type="checkbox"/>	<input type="checkbox"/>	<input type="checkbox"/>	<input type="checkbox"/>

THIRD ANGLE PROJECTION

DRW: *A. Murray* DATE: 10-12-79

CHKD: *[Signature]* DATE: 12/31/79

DO NOT SCALE DRAWING

REMOVE BURRS AND BREAK SHARP CORNERS

MATERIAL: *[Signature]* DATE: 2-7-80

SEE PARTS LIST

FINISH: *[Signature]* DATE: 7-1-80

TITLE: digital BATTERY PACK ASSY

DOCUMENT NUMBER: C LA 7016945-C-01A

SCALE: 1/1 SHEET OF 1

REVISION HISTORY	ECO NUMBER	REV.
DATE: 12/31/79	7016945-TW001	A
P. MCMANUS		

GENERAL CONFIGURATION CONTROL INFORMATION FOR THE 11750-F SYSTEMS

INTRODUCTION

THIS DOCUMENT CONTAINS THE INFORMATION FOR CONFIGURING THE 11750-F SYSTEMS. THE CONFIGURATION INFORMATION CONTAINED HEREIN MUST BE ADHERED TO IN ORDER TO MAINTAIN CONFORMANCE TO DEC STANDARDS.

GENERAL CONFIGURATION RULES:

- CABINETS SUPPORTED AS BOLT-ON COMPATIBLE WITH THE 11750-FA/-FB ARE:

H9642-FA/-FB UNIBUS EXPANDER CABINET  
 H9642-FC/-FD UNIBUS EXPANDER CABINET  
 CI750-BA/-BB COMPUTER INTERCONNECT (CABINET)

ALL OTHER SYSTEM CABINETS (E.G., DISK, TAPE) ARE FREESTANDING.

- CPU INTERNAL OPTIONS INSTALLABLE IN THE 11750-F ARE:

FP750 FLOATING POINT  
 RH750-F MASSBUS CONTROLLER  
 DW750 SECOND UNIBUS  
 DR750-F PARALLEL INTERFACE  
 CI750 COMPUTER INTERCONNECT (INTERFACE MODULE)  
 MS750-C MEMORY  
 H7112-A/-B BATTERY BACKUP UNIT

OPTIONS INSTALLABLE IN THE 11750-F UNIBUS BACKPLANE ARE LISTED IN DOCUMENT K-SA-11750-F-1.

ECO HISTORY				DRN: R. NELSON	DATE: 6/22/83	DIGITAL			
ENG	ECO NUMBER	REV	ENG	ECO NUMBER	REV	CHK'D: K. BANKER	DATE: 6/22/83	TITLE	CONFIGURATION CONTROL
	INIT.	A							11750-F SYSTEMS
						DES.ENG.: S. FOOTE	DATE: 6/22/83	DOCUMENT NUMBER	
						RESP.ENG.: S. FOOTE	DATE: 6/22/83		
						MFG.ENG.: K. O'BRIEN	DATE: 6/22/83	SIZE	CODE
						FILE NAME: K-SA-11750-F-DBF		NUMBER	REV.
								K	SA
								11750-F-0	A
								SHEET 1 OF 7	

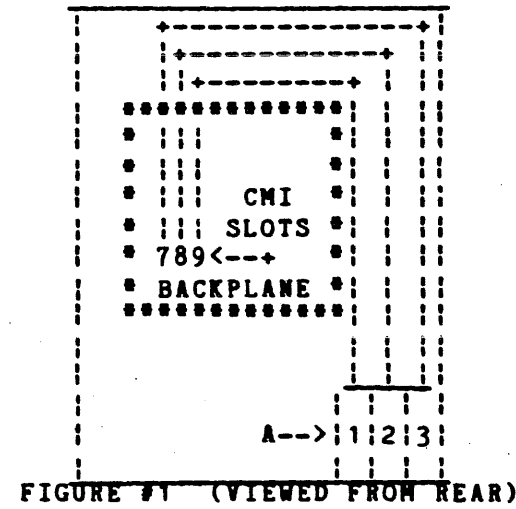
"THIS DRAWING AND SPECIFICATIONS HEREIN, ARE THE PROPERTY OF DIGITAL EQUIPMENT CORPORATION AND SHALL NOT BE REPRODUCED OR COPIED OR USED IN WHOLE OR IN PART AS THE BASIS FOR THE MANUFACTURE OR SALE OF ITEMS WITHOUT WRITTEN PERMISSION. COPYRIGHT (C) 1983 DIGITAL EQUIPMENT CORPORATION"

TW

GENERAL CONFIGURATION CONTROL INFORMATION FOR THE 11750-F SYSTEMS

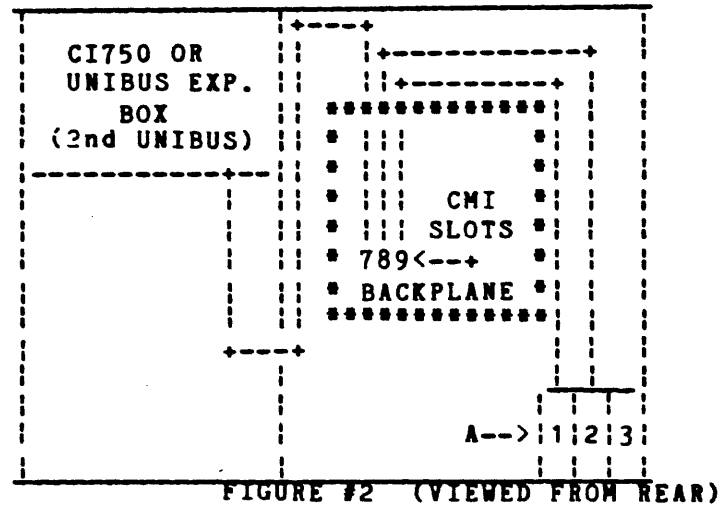
CMI EXPANSION:

TABLE #1



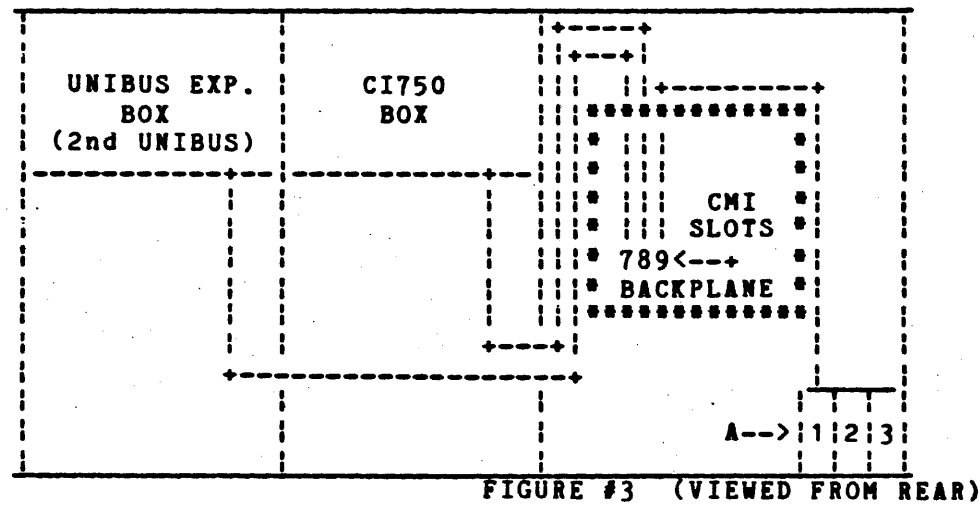
ALLOWABLE CONFIGURATIONS OF CMI SLOTS 7, 8, & 9.

	SLOT 7	SLOT 8	SLOT 9	CABLING
1	RH750	RH750	RH750	SEE FIG. 1
2	DW750	RH750	RH750	SEE FIG. 2
3	DR750	RH750	RH750	SEE FIG. 1
4	DW750	DR750	RH750	SEE FIG. 2
5	DW750	CI750	RH750	SEE FIG. 3
6	CI750	RH750	RH750	SEE FIG. 2



NOTES:

1. COMBINATION OF DR750 AND CI750 IS NOT ALLOWED
2. ONLY ONE DR750 PER SYSTEM IS ALLOWED.
3. ONLY ONE DW750 PER SYSTEM IS ALLOWED.
4. ONLY ONE CI750 PER SYSTEM IS ALLOWED.
5. AREA (FIG. 1, 2, 3) DESIGNATED A1, A2, A3 IS COMPRISED OF THE BOTTOM THREE PANEL UNITS IN THE IN THE 11750-F CABINET BULKHEAD PANEL.



TITLE				DOCUMENT NUMBER			
d	i	g	i	t	a	l	
CONFIGURATION CONTROL							
11750-F SYSTEMS				SHEET 2 OF 7		REV. A	
				K SA 11750-F-0			

TW



GENERAL CONFIGURATION CONTROL INFORMATION FOR THE 11750-F SYSTEMS

UNIBUS EXPANSION:

1. UNIBUS EXPANDER CABINETS SUPPORTED ON THE 11750-F ARE:  
     H9642-FA/-FB  
     H9642-FC/-FD
2. A MAXIMUM OF TWO EXPANDER BOXES (ONE PER CABINET) IS ALLOWABLE ON EACH 11750-F UNIBUS.
3. UNIBUS EXPANDER CABINETS ALWAYS BOLT TO THE CPU CABINET OR TO ADJACENT UNIBUS EXPANDER OR CI750 CABINET.
4. PREFERRED DIRECTION OF SYSTEM EXPANSION IS TO THE LEFT OF THE CPU CABINET (AS VIEWED FROM THE FRONT) FOR EXPANSION OF THE FIRST UNIBUS (UBA #0), AND TO THE RIGHT OF THE CPU CABINET FOR THE SECOND UNIBUS (UBA #1). SEE FIGURE #4 FOR CABINET CONFIGURATION.
5. ALL UNSHIELDED UNIBUS CABLES, E.G. BC11A, MUST BE ROUTED INTERNAL TO THE OVERALL ENCLOSURE, THROUGH THE CABLE PORTS PROVIDED IN THE SHIELD INSERTS OF EACH CABINET.
6. AT TIME OF INITIAL FIELD INSTALLATION OF THE EXPANDER CABINETS, BOTH KNOCKOUTS IN THE INSERTS OF THE MATING SIDES OF THE CABINETS TO BE JOINED SHOULD BE REMOVED, AND BOTH FEEDTHROUGH DUCTS INSTALLED. THIS IS FOR EASE OF FUTURE EXPANSION.
7. DO NOT REMOVE KNOCKOUTS FROM INSERTS OF NON-EXPANSION SIDES OF EITHER CABINET.
8. REFER TO K-SA-H9642-F DOCUMENTS FOR ADDITIONAL UNIBUS CABINET EXPANSION INFORMATION.

CABINET CONFIGURATION FOR MAXIMUM UNIBUS EXPANSION:

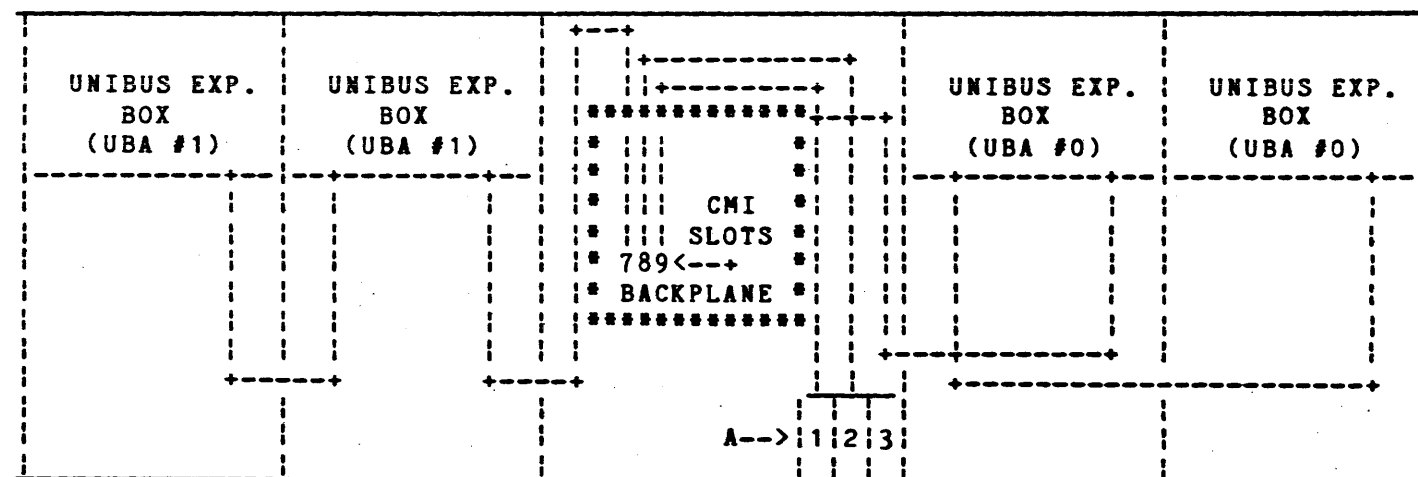


FIGURE #4  
(VIEWED FROM REAR)

! ! ! ! ! ! ! !	! TITLE	! ! ! ! ! ! ! !	! ! ! ! ! ! ! !
! d ! i ! g ! i ! t ! a ! l !	! CONFIGURATION CONTROL	! ! ! ! ! ! ! !	! ! ! ! ! ! ! !
! ! ! ! ! ! ! !	! 11750-F SYSTEMS	! SHEET 3 OF 7	! ! ! ! ! ! ! !
! ! ! ! ! ! ! !	! ! ! ! ! ! ! !	! ! ! ! ! ! ! !	! ! ! ! ! ! ! !

TW

GENERAL CONFIGURATION CONTROL INFORMATION FOR THE 11750-F SYSTEMS

11750-F I/O BULKHEAD PANEL:

1. PANEL UNITS IN ZONES A1-A3 ARE TO BE USED FOR INSTALLATION OF PANEL INSERTS FOR RH750 OR DR750. INSTALLATION OF THE UDA50 BULKHEAD ASSY. IS ALSO PREFERRED IN ZONE A3 IF SPACE IS NOT ALREADY UTILIZED.
2. BULKHEAD AREA E1 IS RESERVED FOR INSTALLATION OF THE RL211 CONTROLLER/DISK BULKHEAD ASSY. ON SYSTEMS IN WHICH THE RL11 CONTROLLER IS TO BE INSTALLED IN THE CPU UNIBUS BACKPLANE, DISCARD THE BLANK COVER ON THE BULKHEAD AT "E1", DISCARD THE PANEL INSERT PROVIDED WITH THE RL211 OPTION, AND INSTALL THE 40 PIN CONNECTOR AND SHIELD RECEPTACLE DIRECTLY TO THE 11750-F BULKHEAD PANEL.
3. ALL OTHER UNIBUS OPTIONS WHICH INCLUDE PANEL INSERTS MOUNT IN ZONES B1-B4, C1-C4, D1-D4. THE BULKHEAD PANEL SHOULD BE POPULATED FROM THE BOTTOM UP, TO EASE FUTURE EXPANSION.
4. ALL UNUSED PANEL UNITS MUST BE LEFT COVERED WITH BLANK PANEL INSERTS.

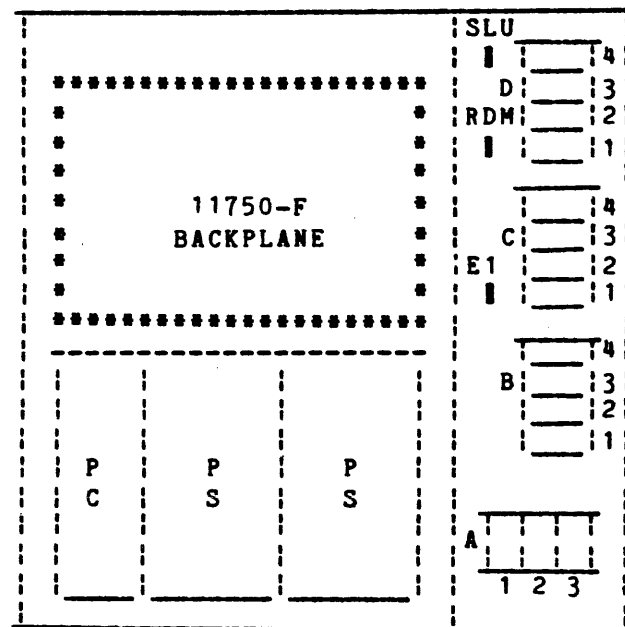


FIGURE #5 (VIEWED FROM REAR)

11750-F I/O BULKHEAD PANEL LAYOUT

! ! ! ! ! ! ! !	TITLE	CONFIGURATION CONTROL	DOCUMENT NUMBER
! d ! i ! g ! i ! t ! a ! l !	11750-F SYSTEMS	SHEET 4 OF 7	! SIZE ! CODE ! NUMBER ! REV. !
! ! ! ! ! ! ! !			! K ! SA ! 11750-F-0 ! A !

TW



GENERAL CONFIGURATION CONTROL INFORMATION FOR THE 11750-F SYSTEMS

UNIBUS CABLE ROUTING - EXPANDED SYSTEM:

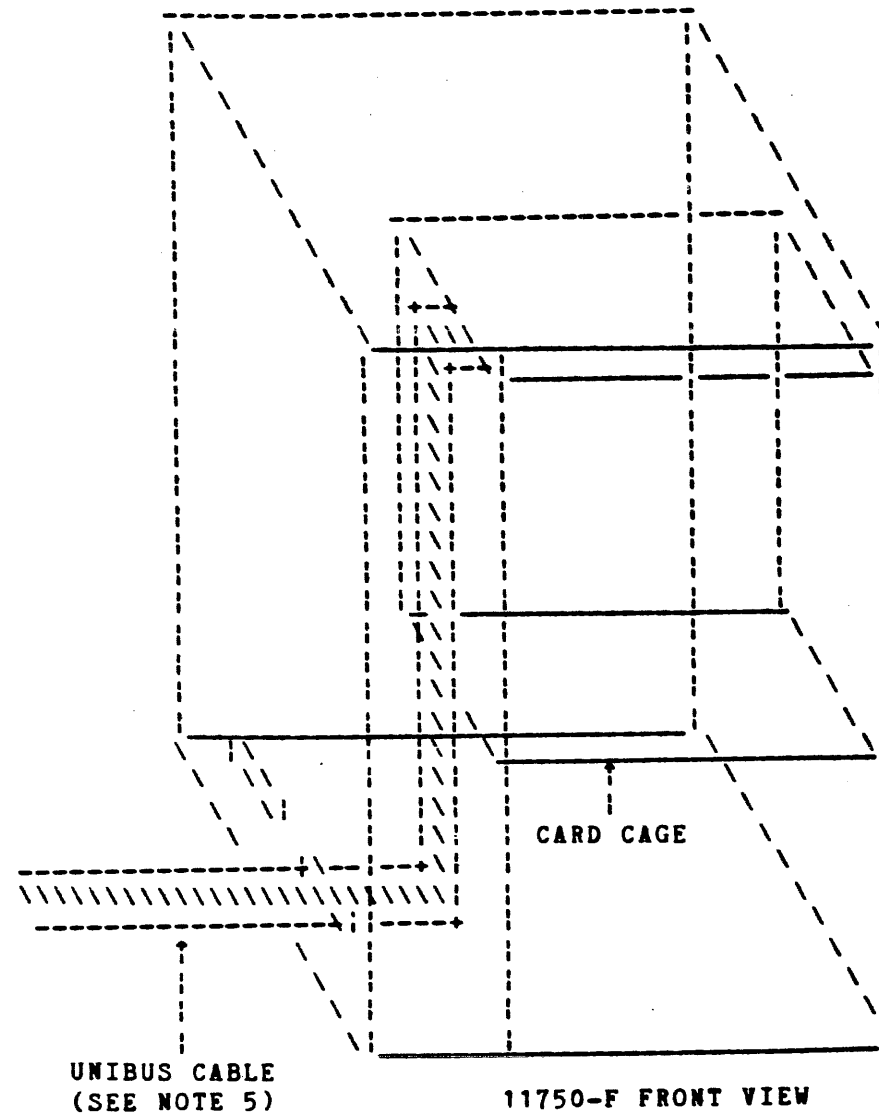


FIGURE #6

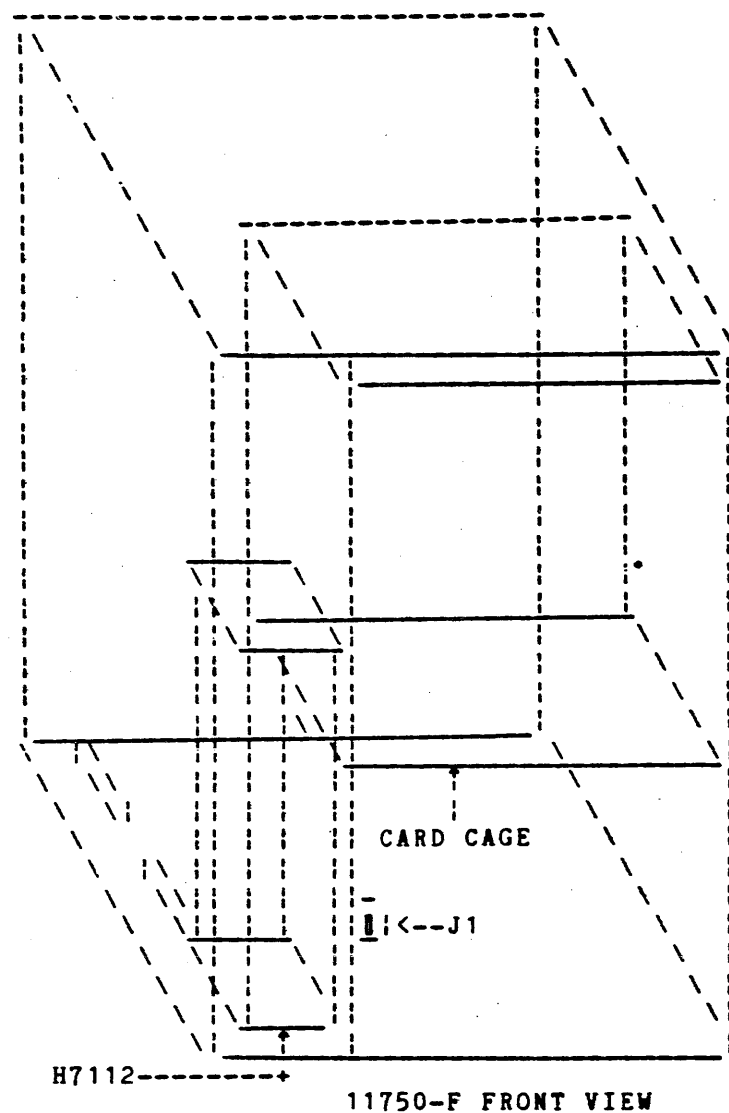
1. REMOVE TERMINATOR MODULE FROM SLOT 9 OF DD11-DK.
2. INSTALL UNIBUS CABLE (PROVIDED WITH EXPANDER BOX) IN SLOT 9-A&B OF DD11-DK.
3. ROUTE CABLE BEHIND THE CABLE MANAGEMENT BRACKETS TO BASE OF CABINET PASS THE CABLE THROUGH THE FRONT CABLE DUCT (SEE FIG. #6) TO THE EXPANDER CABINET. INSTALL IN SLOT 1-A&B OF THE FIRST DD11-DK IN THE EXPANDER BOX.
4. INSTALL THE TERMINATOR IN THE LAST SLOT OF THE LAST DD11 IN THE EXPANDER BOX.
5. REFERENCE H9642-F DOCUMENTATION FOR EXPANDER CABINET INSTALLATION AND CABLE ROUTING.

TITLE		DOCUMENT NUMBER	
d	11750-F SYSTEMS		
i	CONFIGURATION CONTROL		
g		SHEET 6 OF 7	
i			REV.
t			A
a			
l			

TW

GENERAL CONFIGURATION CONTROL INFORMATION FOR THE 11750-F SYSTEMS

BATTERY BACKUP (H7112) INSTALLATION:



1. INSTALL THE BATTERY BACKUP UNIT ON THE TWO HORIZONTAL SUPPORT BRACKETS ATTACHED TO THE FRONT CABINET RAILS (SEE FIG. #7). POSITION THE UNIT SUCH THAT THE POWER ON/OFF SWITCH IS AT THE TOP. INSTALL WITH THE HARDWARE PROVIDED WITH THE OPTION.
2. ROUTE THE 3-WIRE CABLE (COILED AT BASE OF CABINET) TO THE BACK OF THE UNIT AND CONNECT P4 TO EITHER OF THE TWO 3-PIN JACKS ON THE H7112.
3. CONNECT THE H7112'S INTERCONNECT CABLE TO J1 (SEE FIG #7).
4. CONNECT THE H7112'S AC POWER CORD TO A RECEPTACLE ON THE 875 POWER CONTROLLER.

FIGURE #7

! ! ! ! ! ! ! !	! TITLE	! ! ! ! ! ! ! !	! ! ! ! ! ! ! !
! ! ! ! ! ! ! !	! CONFIGURATION CONTROL	! ! ! ! ! ! ! !	! ! ! ! ! ! ! !
! d ! i ! g ! i ! t ! a ! l !	! ! ! ! ! ! ! !	! ! ! ! ! ! ! !	! ! ! ! ! ! ! !
! ! ! ! ! ! ! !	! 11750-F SYSTEMS	! SHEET 7 OF 7	! ! ! ! ! ! ! !
! ! ! ! ! ! ! !	! ! ! ! ! ! ! !	! ! ! ! ! ! ! !	! ! ! ! ! ! ! !
! ! ! ! ! ! ! !	! ! ! ! ! ! ! !	! ! ! ! ! ! ! !	! ! ! ! ! ! ! !

TW

GENERAL CONFIGURATION CONTROL INFORMATION FOR THE 11750-F SYSTEMS

INTRODUCTION:

TABLES #1 AND #2 LIST THE SUPPORTED INTRA CPU UNIBUS BACKPLANE CONTROLLER / INTERFACES. THE CONFIGURATION OF THESE CONTROLLERS / INTERFACES WITHIN THE 11750-F CABINET AND ITS I/O BULKHEAD PANEL IS CONTROLLED BY THE XCON PROGRAM. TABLE #1 LISTS INTRA BACKPLANE CONTROLLERS (E.G. RL02, UDA50, ETC.). TABLE #2 LISTS THE COMMUNICATION TYPE CONTROLLERS (E.G. DZ11, DMF32, ETC.).

TABLE #1

NAME	DESCRIPTION	MOUNTING INFORMATION		REMARKS
		QTY & MODULE SIZE	I/O BULKHEAD PANEL INSERT SIZE	
UDA50-A	DISC CONTROLLER	2 HEX	2 INCH	
RL11	RL02 DISC CONTROLLER	1 HEX	2 INCH	SEE NOTE 1
TU80	TAPE CONTROLLER	1 QUAD	2 INCH	
LP11	LINE PRINTER CONTROLLER	1 QUAD	2 INCH	SEE NOTE 1
VS100	VAX STATION INTERFACE	1 HEX	2 INCH	

NOTES:

1. THE OPTION MUST INCORPORATE THE I/O BULKHEAD PANEL INSERT. EARLIER UNITS NOT INCORPORATING THIS HARDWARE ARE NOT SUPPORTED.

ECO HISTORY				DRN: R. NELSON	DATE: 6/22/83	DIGITAL			
ENG!	ECO NUMBER	REV!	ENG!	ECO NUMBER	REV!	CHK'D: K. BANKER	DATE: 6/22/83	TITLE	CONFIGURATION CONTROL
	INIT.	A				DES.ENG.: S. FOOTE	DATE: 6/22/83		11750-F SYSTEMS
						RESP.ENG.: S. FOOTE	DATE: 6/22/83	DOCUMENT NUMBER	
						MFG.ENG.: K. O'BRIEN	DATE: 6/22/83	SIZE!CODE!NUMBER	REV.
						FILE NAME: K-SA-11750-F-DBF		K ! SA ! 11750-F-1	A
								SHEET 1 OF 2	

"THIS DRAWING AND SPECIFICATIONS HEREIN, ARE THE PROPERTY OF DIGITAL EQUIPMENT CORPORATION AND SHALL NOT BE REPRODUCED OR COPIED OR USED IN WHOLE OR IN PART AS THE BASIS FOR THE MANUFACTURE OR SALE OF ITEMS WITHOUT WRITTEN PERMISSION. COPYRIGHT (C) 1983 DIGITAL EQUIPMENT CORPORATION"

7W



